


Table of Contents

page 1	Table and Revision
page 2	Notes
page 3	MCU
page 4	OpenSDA
page 5	Power and Peripherals

Revisions

Rev	Description	Date	Approved
X1	Initial	May 15, 2012	
A	Release	June 29, 2012	Wang Peng Michael Norman
A1	Revise J7, J8, J9, JP1. Remove U5.	September 3, 2012	
A2	Rename J10 for 1x6 connector	September 4, 2012	
A3	Add R27, R28 with DNP Populate J4, J5	September 6, 2012	
A4	Populate R27, R28 and DNP J4, J5	September 6, 2012	
B	Release	September 18, 2012	
B1	Label J1 as SWD, release	September 20, 2012	Wang Peng Michael Norman

		Microcontroller Solutions Group 6501 William Cannon Drive West Austin, TX 78735-8598	
This document contains information proprietary to Freescale Semiconductor and shall not be used for engineering design, procurement or manufacture in whole or in part without the express written permission of Freescale Semiconductor.			
Designer: Wang Peng		Drawing Title: FRDM-KL05Z	
Drawn by: Qiao Jun		Page Title: Table of Contents/Revisions	
Approved: Michael Norman	Size C	Document Number SCH-27626 PDF-SPF-27626	Rev B1
Date: Friday, September 21, 2012		Sheet 1 of 5	

5

4

3

2

1

D

D

C


C

B

B

A

A

		
ICAP Classification: FCP: _____ FLUQ: X PUB: _____		
Drawing Title: FRDM-KL05Z		
Page Title: NOTES		
Size C	Document Number SCH-27626 PDF-SPF-27626	Rev B1
Date: Friday, September 21, 2012	Sheet 2 of 5	

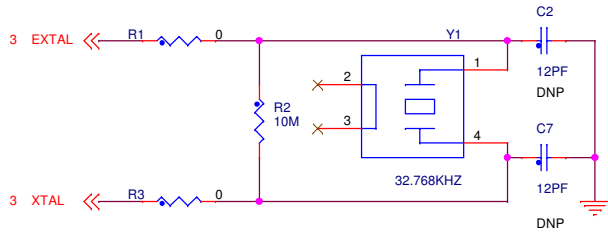
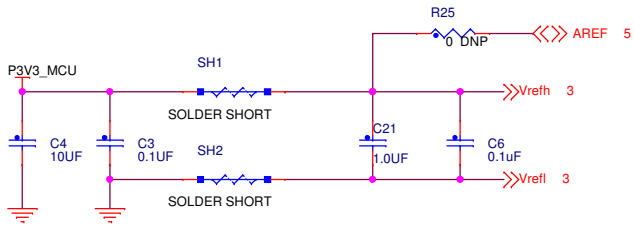
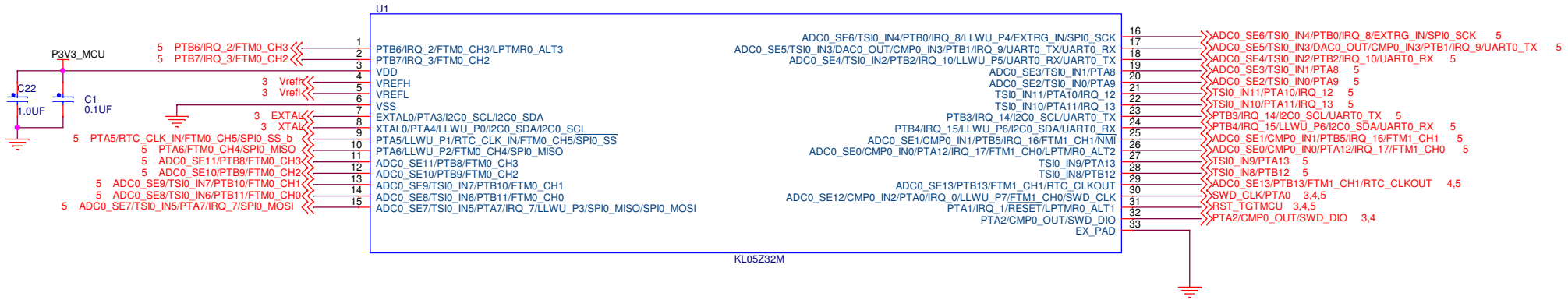
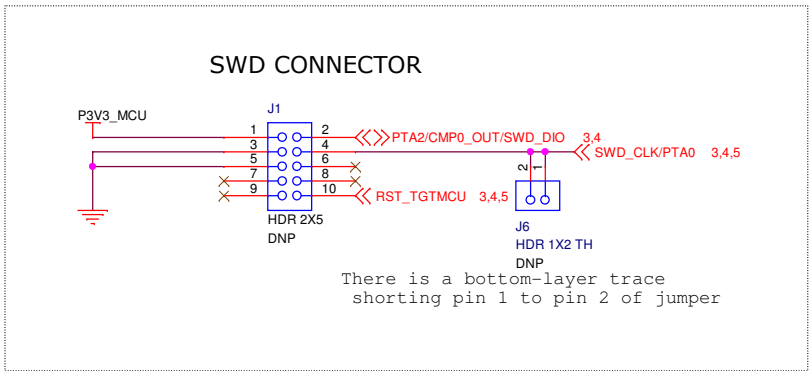
5

4

3

2

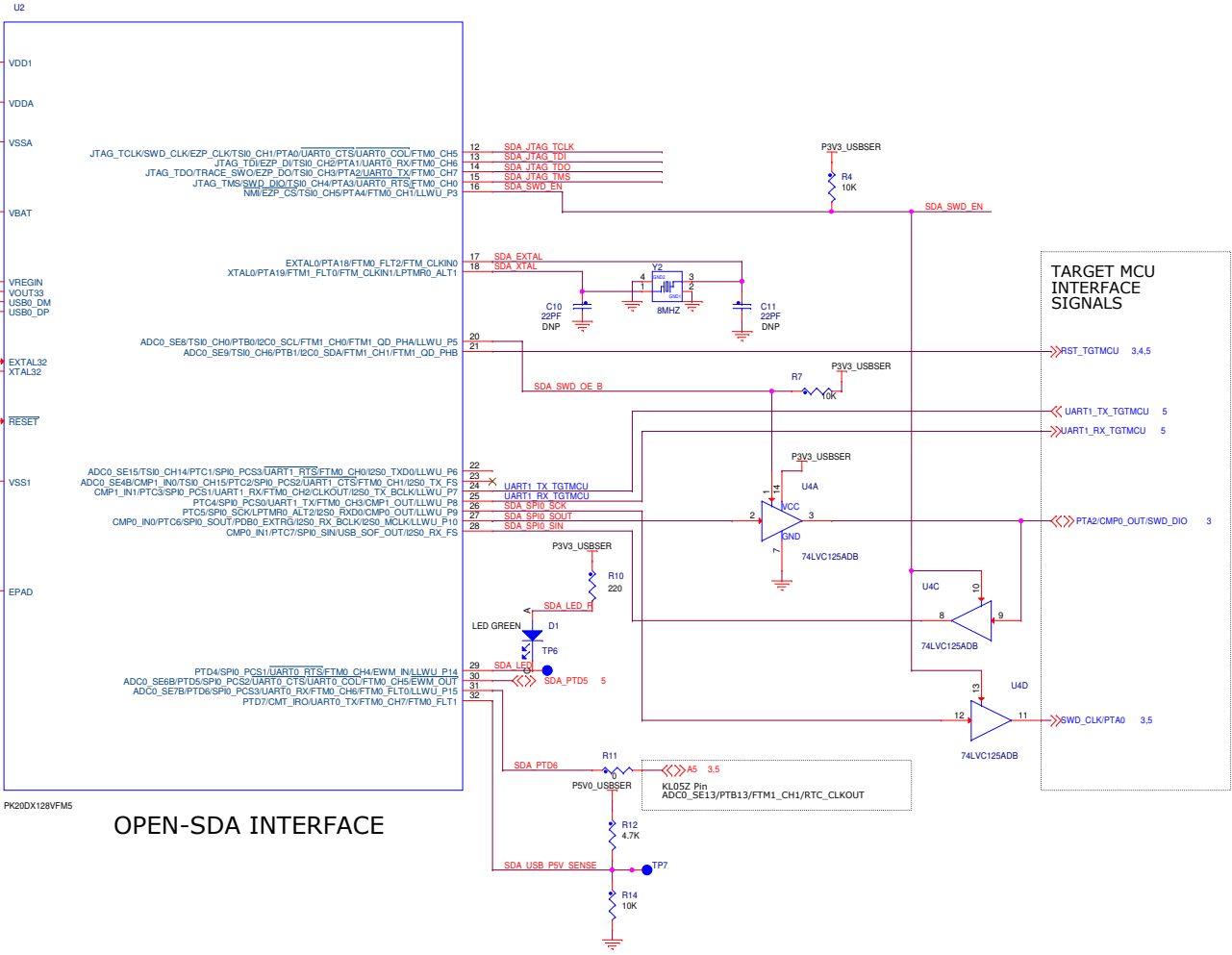
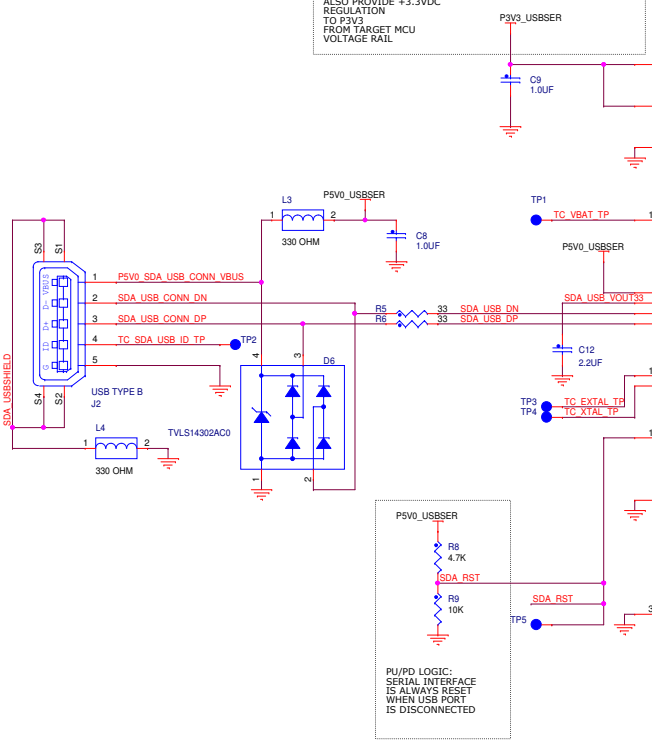
1



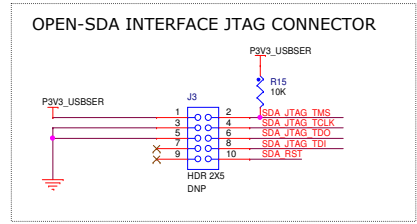
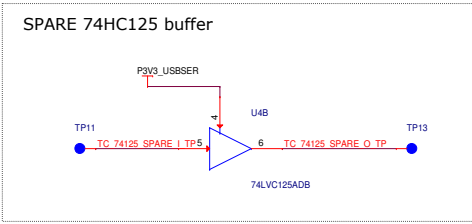
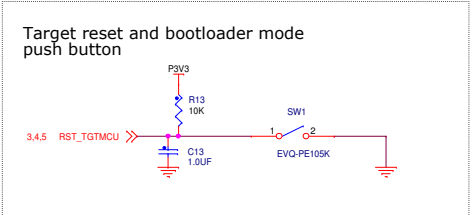
freescale
semiconductor

ICAP Classification: FCP: _____ FIUO: X PUBI: _____	
Drawing Title: FRDM-KL05Z	
Page Title: MCU	
Size B	Document Number SCH-27626 PDF-SPF-27626
Date: Friday, September 21, 2012	Rev B1
Sheet 3 of 5	

TO LEVERAGE OPENSDA INTERFACE IN YOUR DESIGN
 PLEASE PROVIDE +3.3VDC REGULATION TO P3V3_USBSSER FROM P5V0_USBSSER VOLTAGE RAIL
 ALSO PROVIDE +3.3VDC REGULATION TO P3V3 FROM TARGET MCU VOLTAGE RAIL



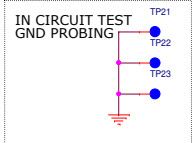
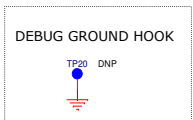
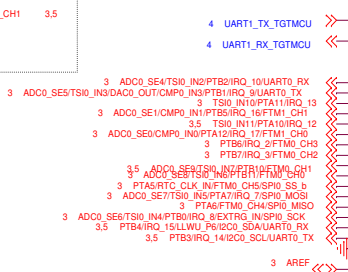
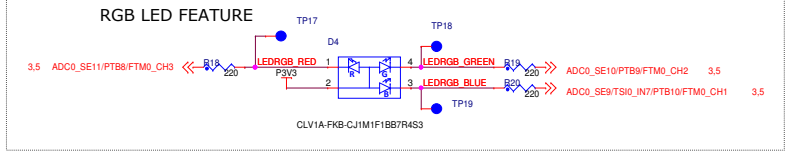
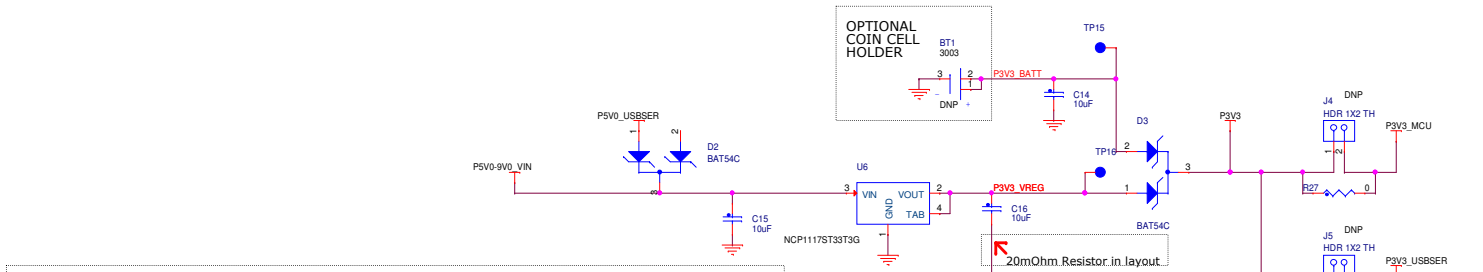
OPEN-SDA INTERFACE



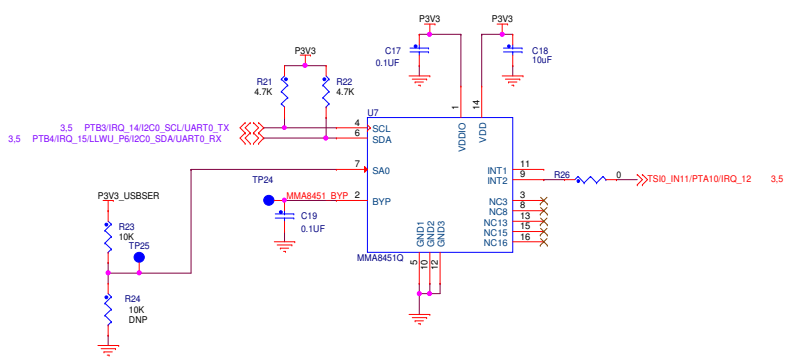
freescale™
 semiconductor

ICAP Classification: FCP: FLUQ: PUBI: X
 Drawing Title: **FRDM-KL05Z**
 Page Title: **OPEN-SDA interface**

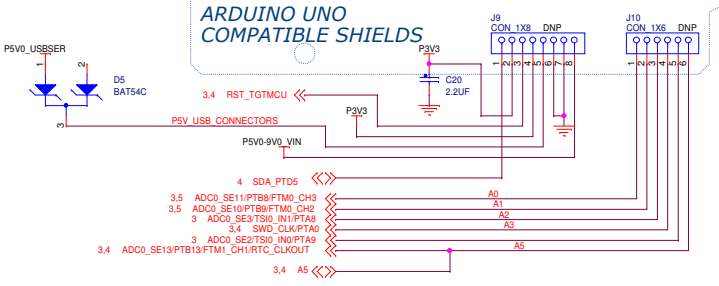
Size C	Document Number SCH-27626 PDF: SPF-27626	Rev B1
Date: Friday, September 21, 2012	Sheet 4 of 5	



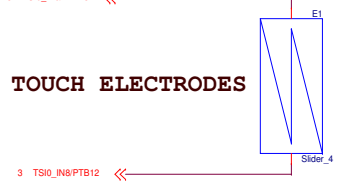
I2C INERTIAL SENSOR



ARDUINO UNO COMPATIBLE SHIELDS



TOUCH ELECTRODES



freescale
semiconductor

ICAP Classification: FCP: FLUC: PUBL: X
 Drawing Title: **FRDM-KL05Z**
 Page Title: **ARDUINO SHIELDS & PWR SUPPLY**

Size C	Document Number SCH-27626 PDF: SPF-27626	Rev B1
Date: Friday, September 21, 2012	Sheet 5 of 5	