


# microDog

16/12/2013 Rev. 0.1

Document under NDA © dog hunter AG Zug CH


Author = C.Pino  
Variant Name = -Core Design-

		dog hunter AG	
		Baarerstrasse 14 6300 Zug Switzerland	
Title			
Front page			
Size	Document Number	Rev	
A3	microDog	0.1	
Date:	Monday, December 16, 2013	Sheet	1 of 5

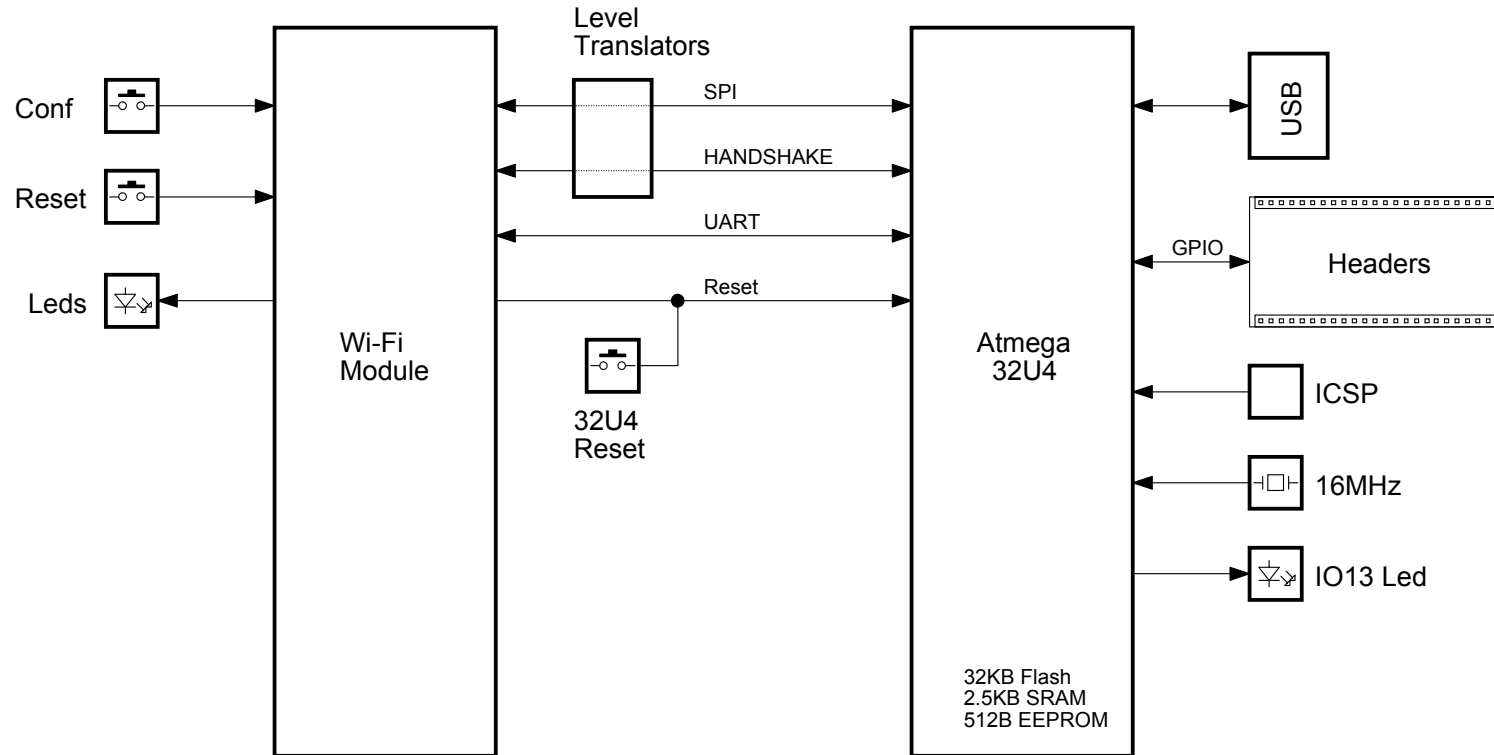
Vers.	Date	Author	Description	PCB Ver
0.1	16/12/2013	C.Pino	First release	--

Document under NDA © dog hunter AG Zug CH

Author = C.Pino  
Variant Name = -Core Design-

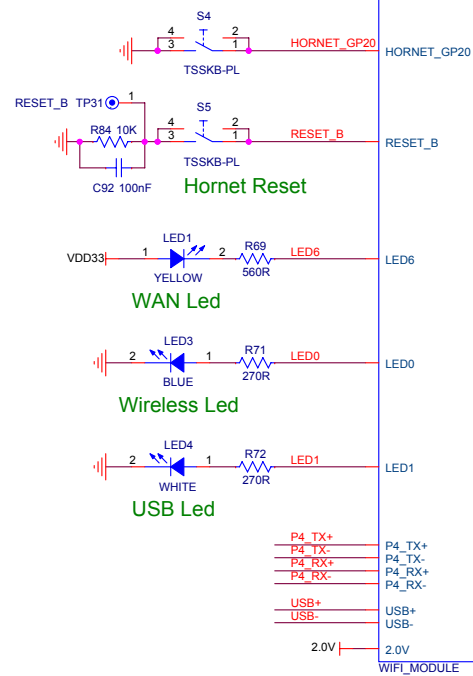
 <b>dog hunter</b>		dog hunter AG Baarerstrasse 14 6300 Zug Switzerland	
		Title	
Revision History			
Size A3	Document Number microDog	Rev 0.1	
Date: Monday, December 16, 2013		Sheet 2 of 5	

# Block Diagram



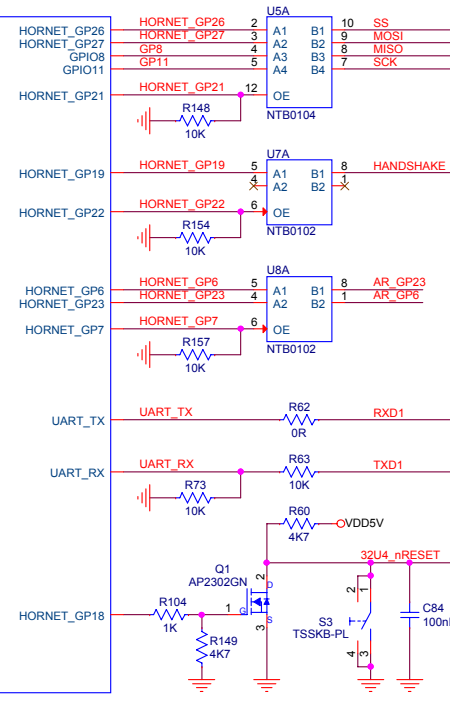
# Micro USB

## GPIO Configuration Button

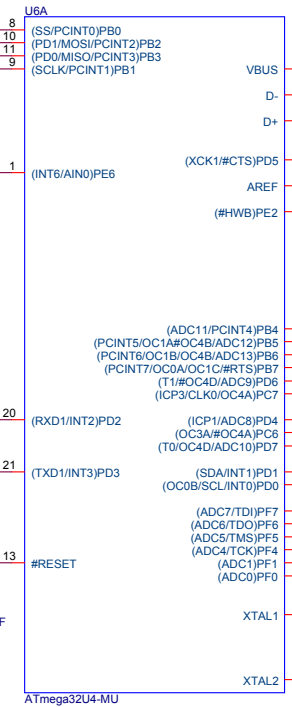


## Wi-Fi Module

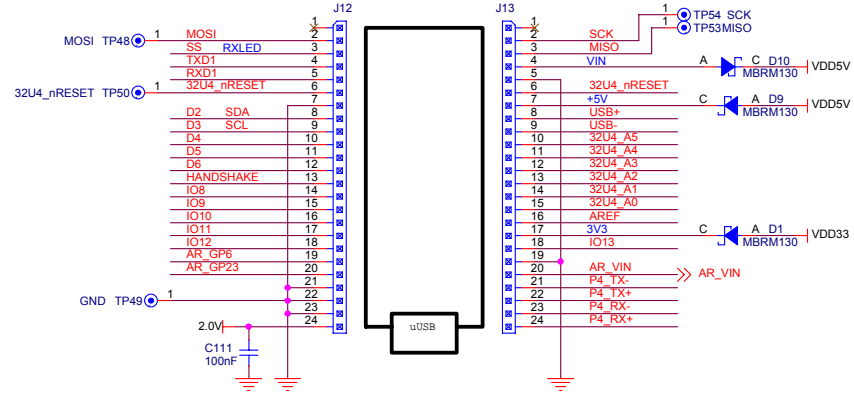
## 32U4 Reset



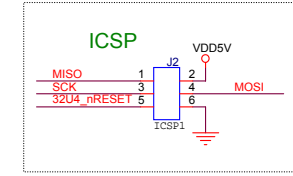
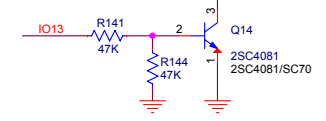
## ATmega32U4




## Headers



## IO13 LED Control



Document under NDA © dog hunter AG Zug CH

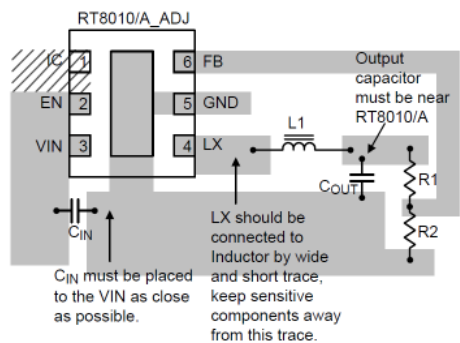
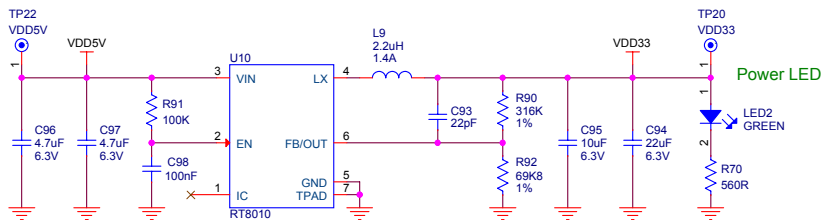


**dog hunter**

Author = C.Pino

dog hunter AG  
 Baarenstrasse 14  
 6300 Zug  
 Switzerland

Title		AR9331, 32U4 & Headers	
Size	A3	Document Number	microDog
Date:	Monday, December 16, 2013	Sheet	4 of 5
Rev	0.1		



RT8010 Flavour	R1	R2
RT8010GQW (Adjustable)	316K	69K8
RT8011-33GQW (Fixed)	0R	DNP

