

I2C Address can be set with jumpers.



Released under the Creative Commons Attribution Share-Alike 4.0 License  
<https://creativecommons.org/licenses/by-sa/4.0/>

TITLE: ADC\_Block

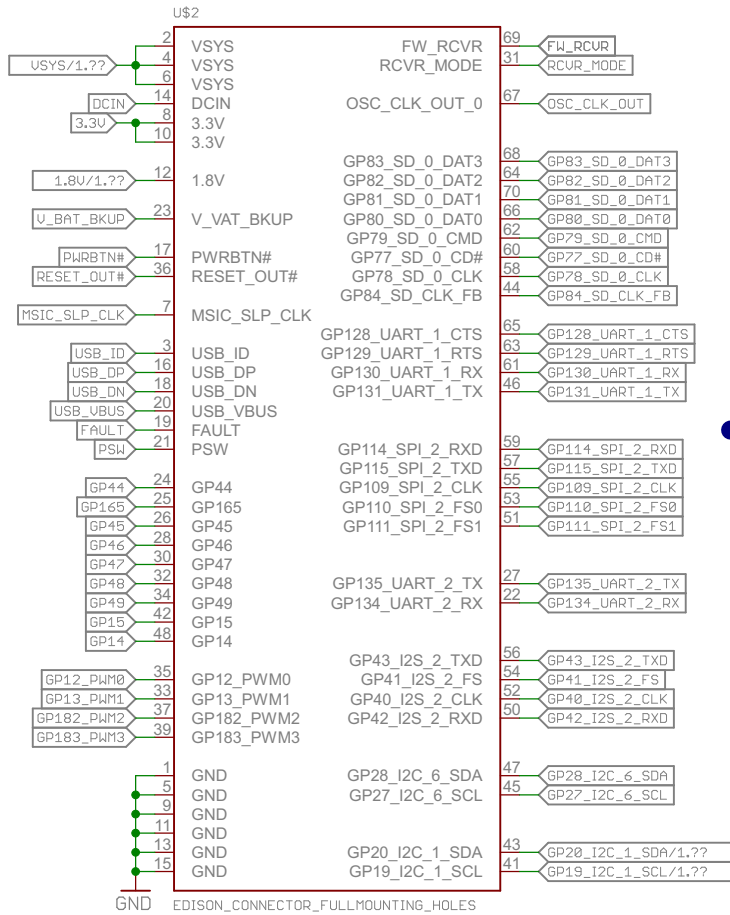
Design by: M Hord

REV: v10

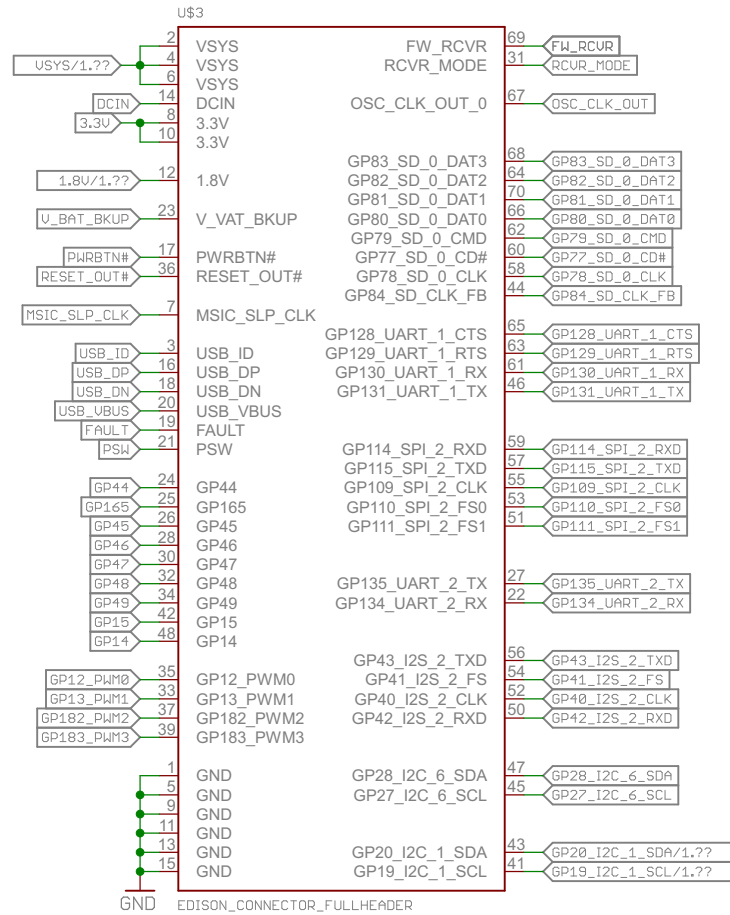
Date: 10/21/2014 11:16:04 AM

Sheet: 1/2

# TOP-EDISON



# BOTTOM



Released under the Creative Commons Attribution Share-Alike 4.0 License  
<https://creativecommons.org/licenses/by-sa/4.0/>

TITLE: ADC\_Block

Design by:

REV:

Date: 10/21/2014 11:16:04 AM

Sheet: 2/2