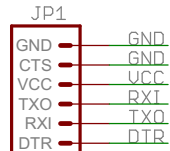
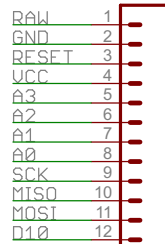
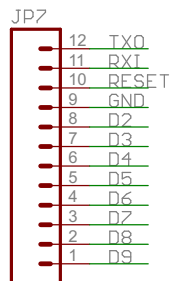


UCC = 5V or 3.3V Output
 Max Voltage Input: 16VDC
 Max Current Output: 150mA

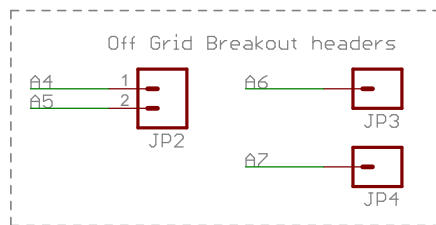
Board is marked with combination of resonator frequency and regulator voltage.



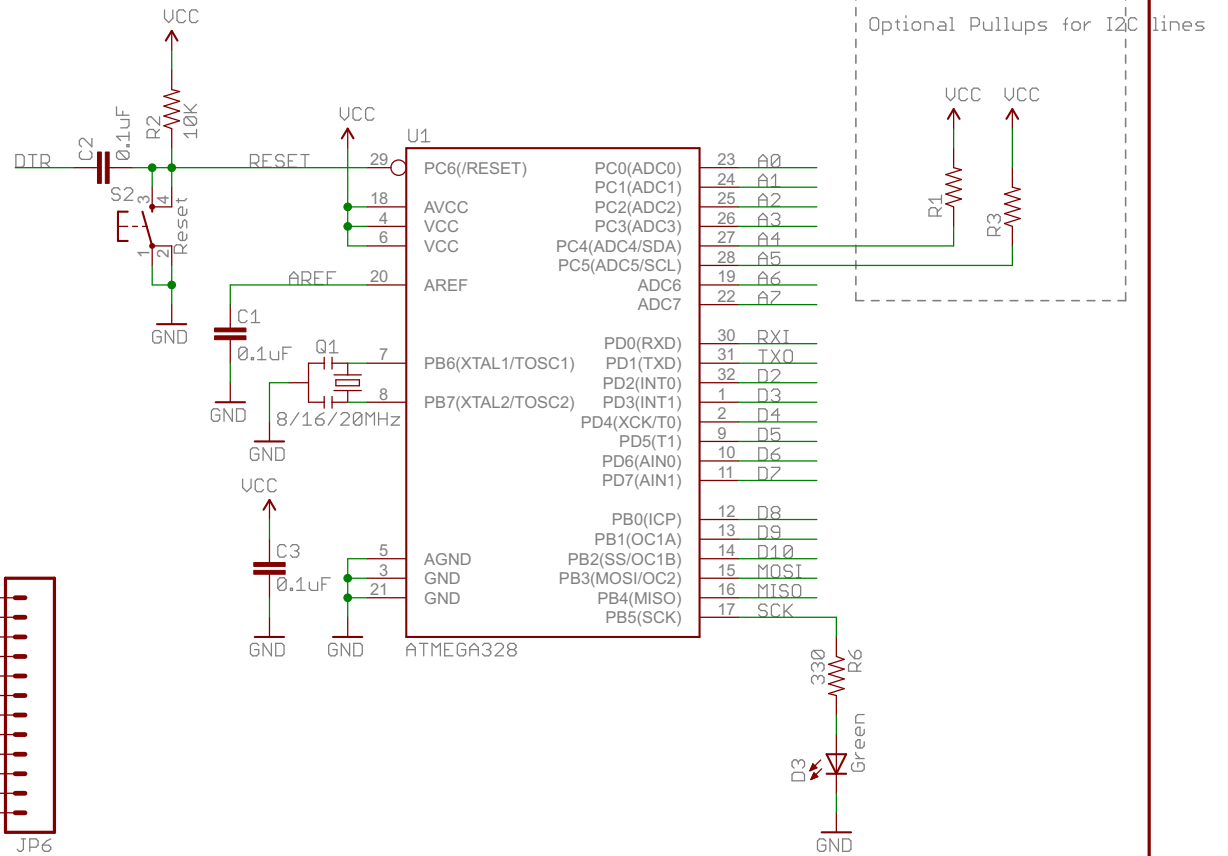
FTDI Basic



JP6



Off Grid Breakout headers



Released under the Creative Commons Attribution Share-Alike 3.0 License
<http://creativecommons.org/licenses/by-sa/3.0>

Original Arduino Mini Design by Team Arduino
 Arduino Pro Mini Design by Spark Fun Electronics

		⊗
		⊗
TITLE: Arduino-Pro-Mini-v13		SFE
Document Number:		REV:
Date: not saved!		Sheet: 1/1