


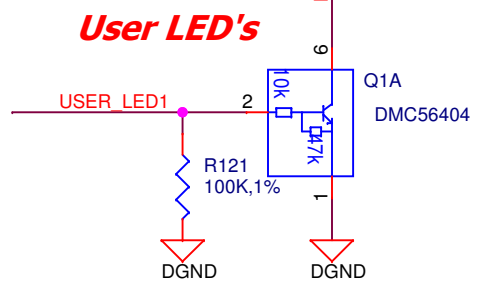
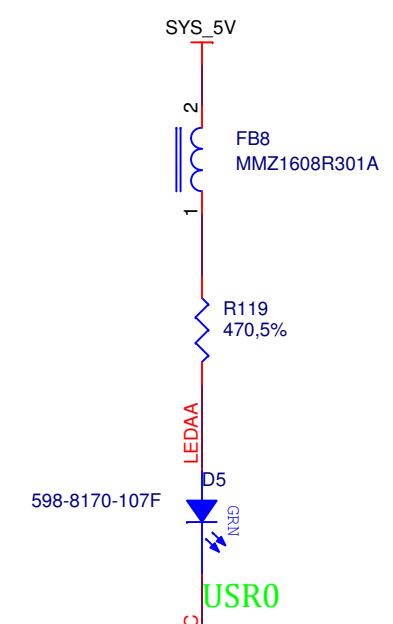
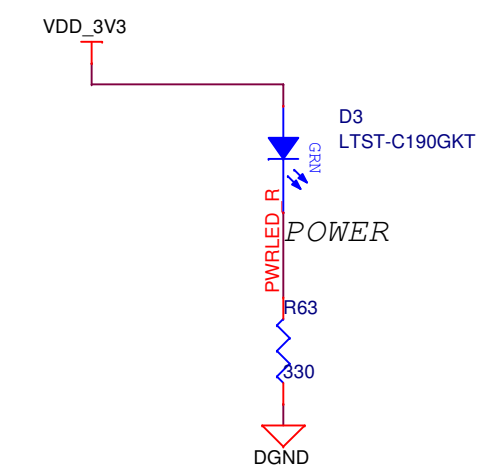
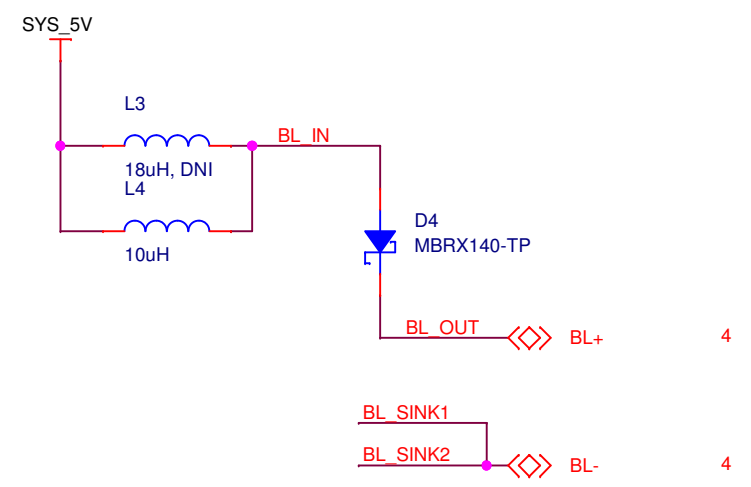
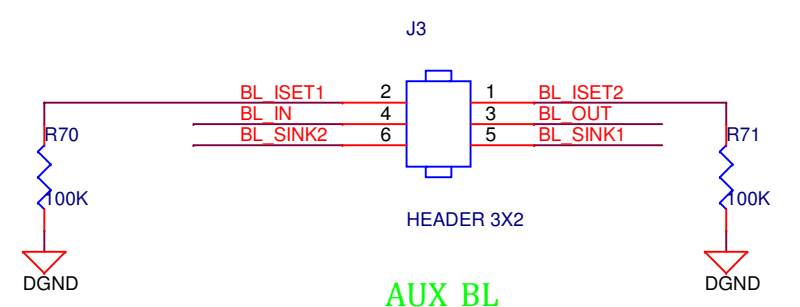
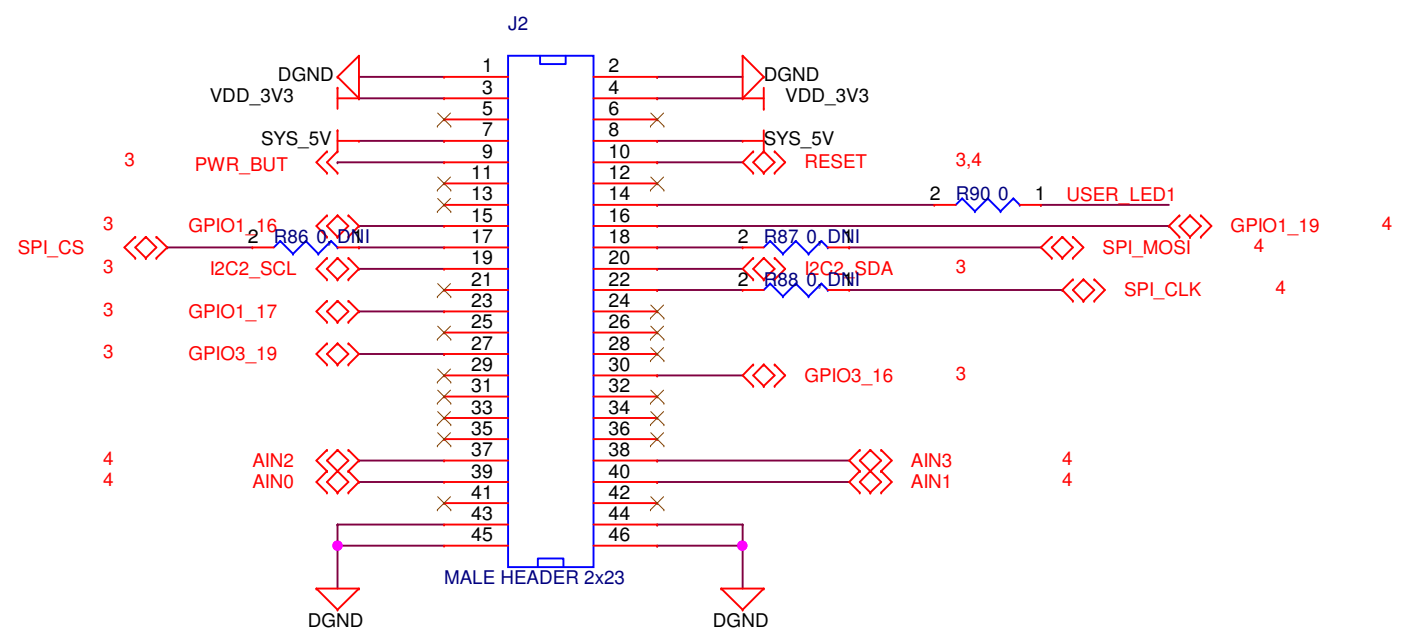
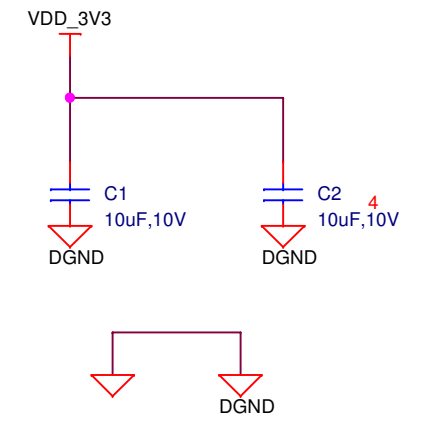
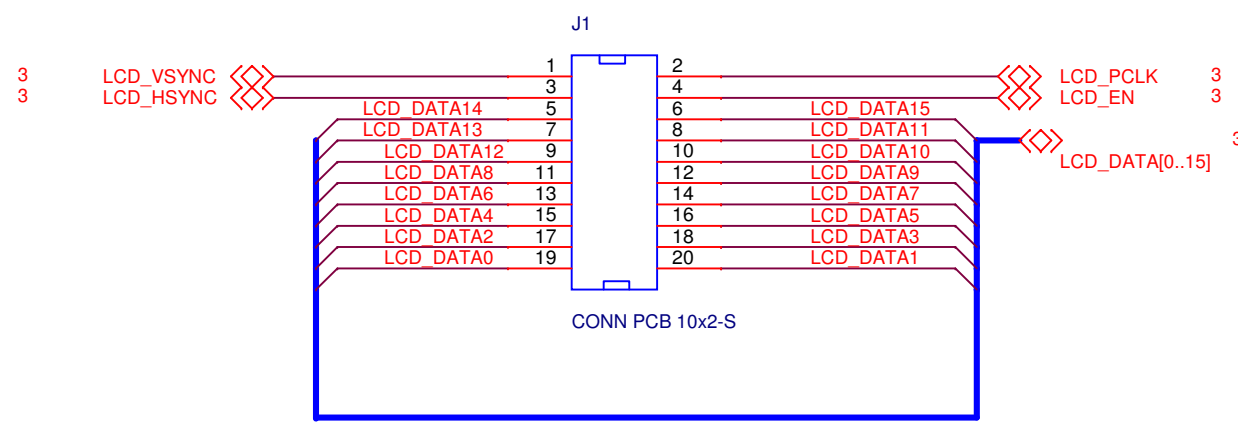
REV	DATE	BY	CHANGE
A	10-March-2012	BBT	Initial release
A1	1-MAY-2012	BBT	buttons are re-arranged with diffrent GPIO's

This work is licensed under the Creative Commons Attribution-Share Alike 3.0 Unported License. To view a copy of this license, visit <http://creativecommons.org/licenses/by-sa/3.0/> or send a letter to Creative Commons, 171 Second Street, Suite 300, San Francisco, California, 94105, USA.

All derivative works are to be attributed to CircuitCo LLC .

For more information, see http://creativecommons.org/license/results-one?license_code=by-sa

This work is licensed under the Creative Commons Attribution-Share Alike 3.0 Unported License. All derivative works are to be attributed to CircuitCo LLC. beagleboardtoys is owned by CircuitCo LLC.		 beagleboardtoys.com	1380 Presidential Dr. #100 Richardson, TX 75081 www.beagleboardtoys.com
Title: BeagleBone LCD3 Cape COVER PAGE			
Size: B	Document Number: BB-BONE-LCD3-01	Rev: A1	
Date: Monday, May 14, 2012	Sheet: 1 of 4		

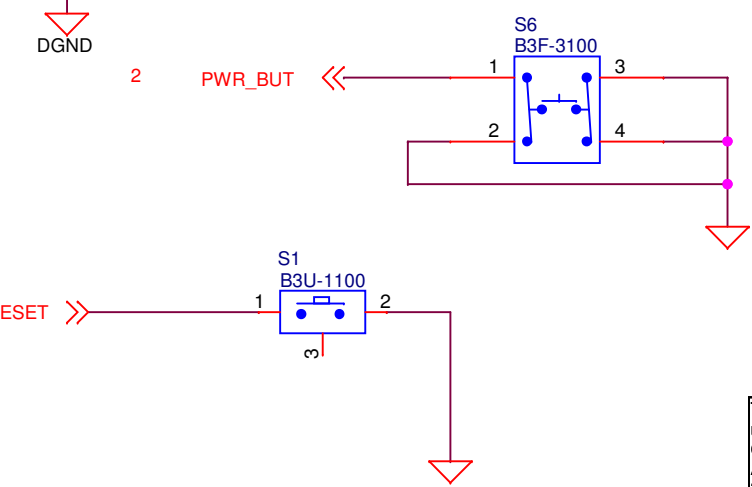
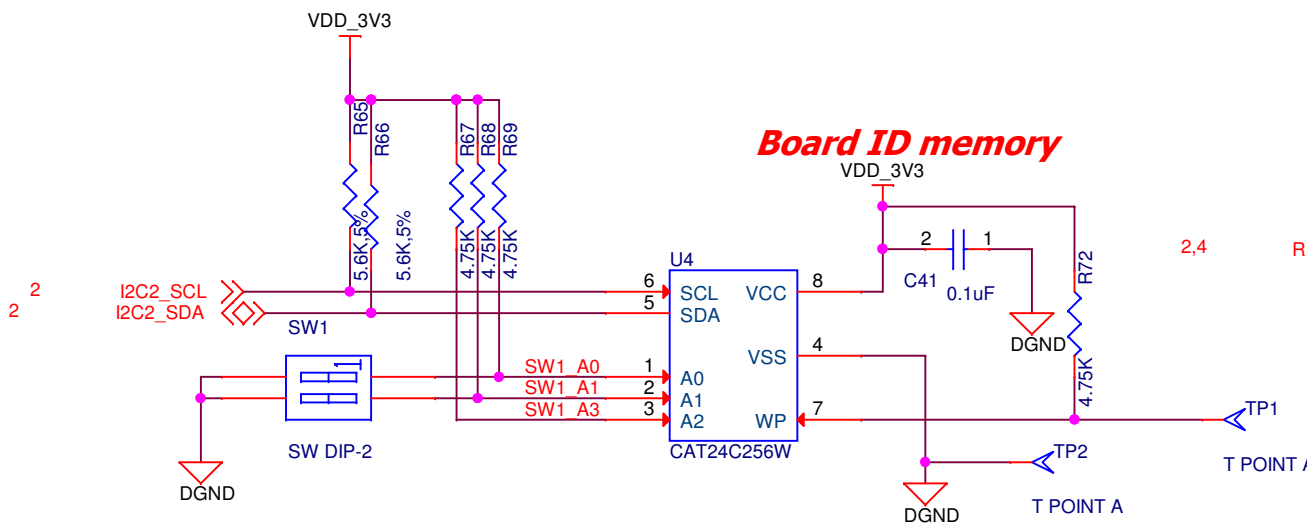
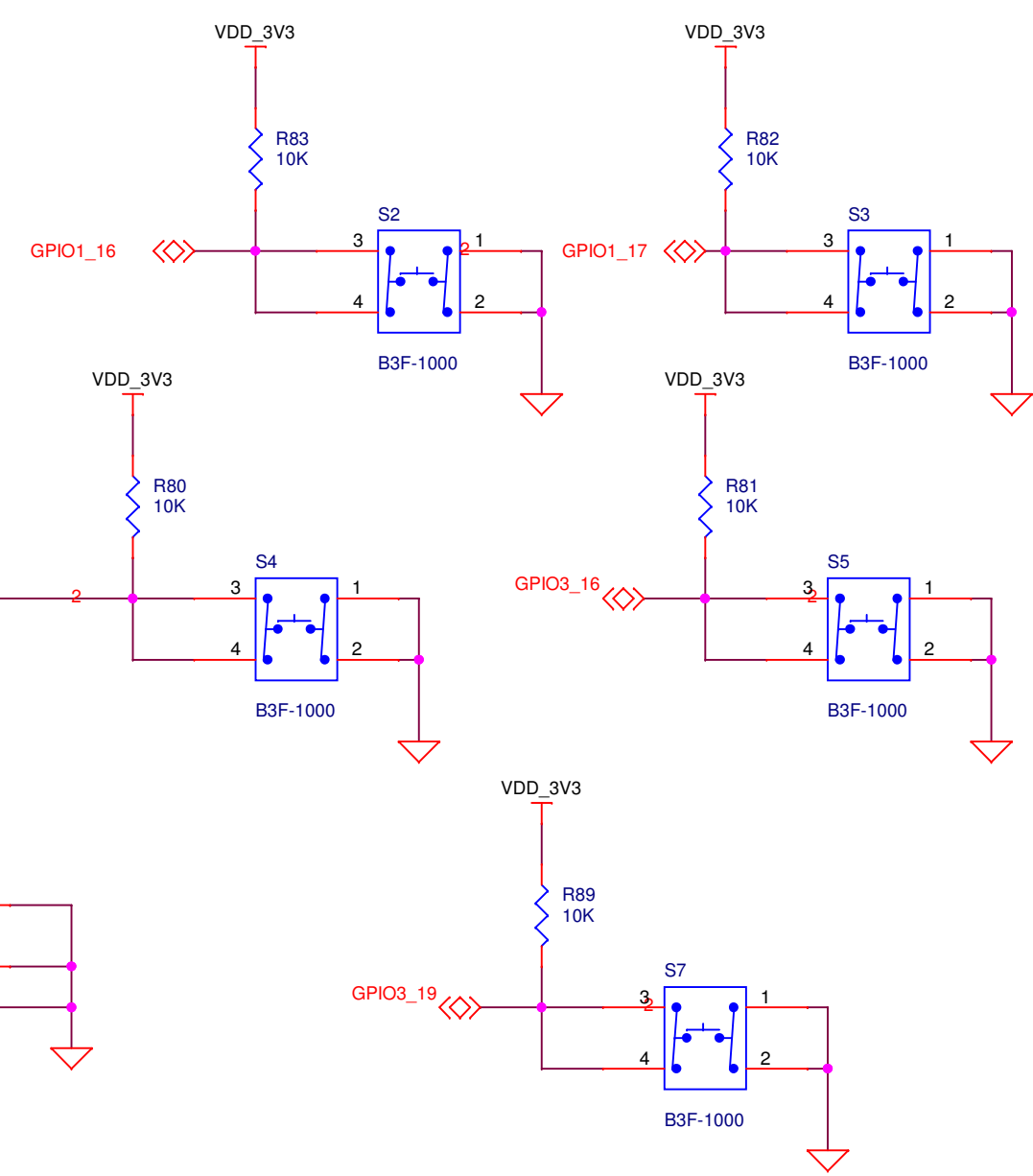
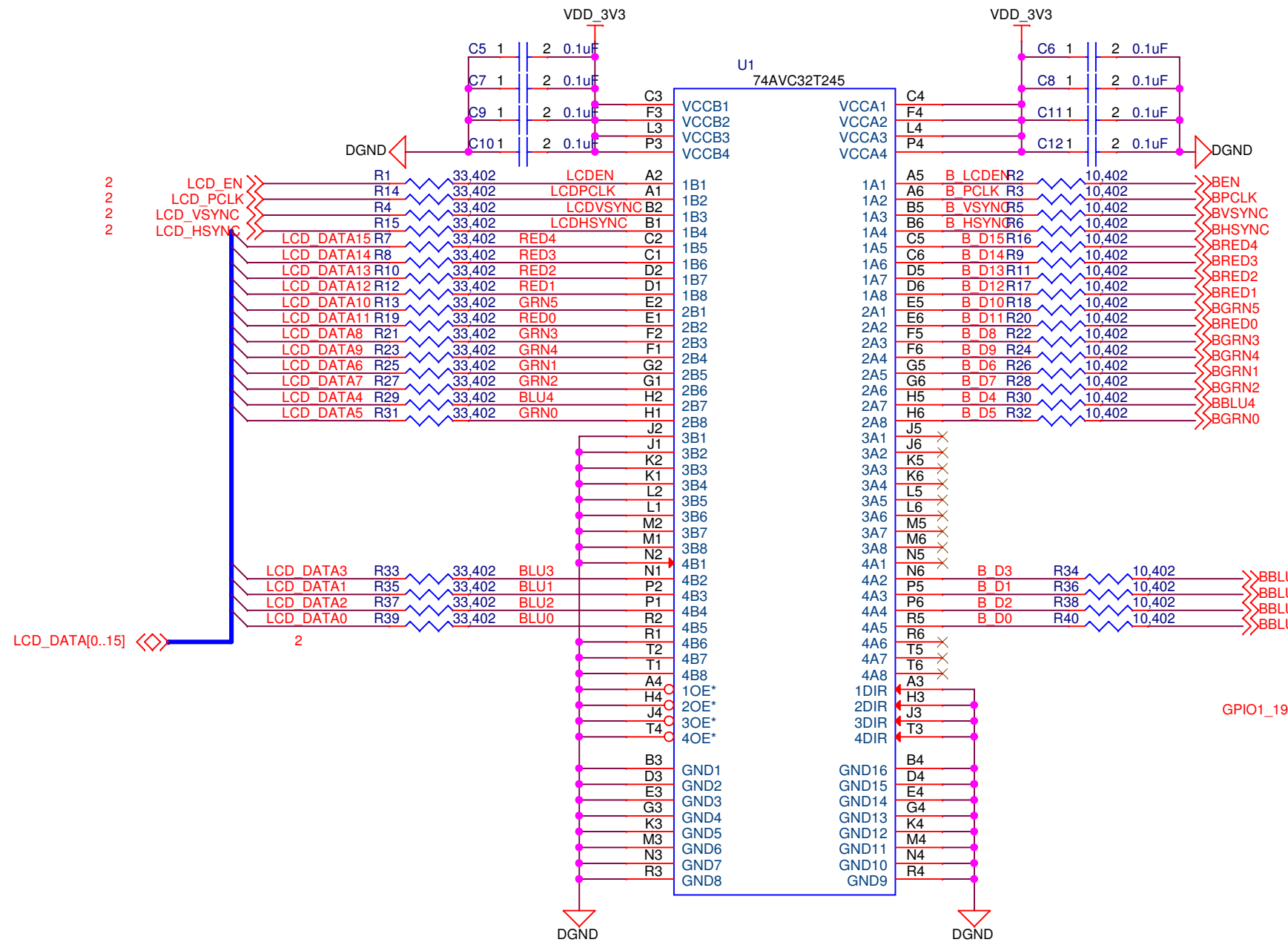


This work is licensed under the Creative Commons Attribution-Share Alike 3.0 Unported License. All derivative works are to be attributed to CircuitCo LLC.

beagleboardtoys is owned by CircuitCo LLC.

1380 Presidential Dr.
#100
Richardson, TX 75081
www.beagleboardtoys.com


Title BeagleBone LCD3 Cape HOST CONNECTORS		
Size B	Document Number BB-BONE-LCD3-01	Rev A1
Date: Monday, May 14, 2012	Sheet 2	of 4



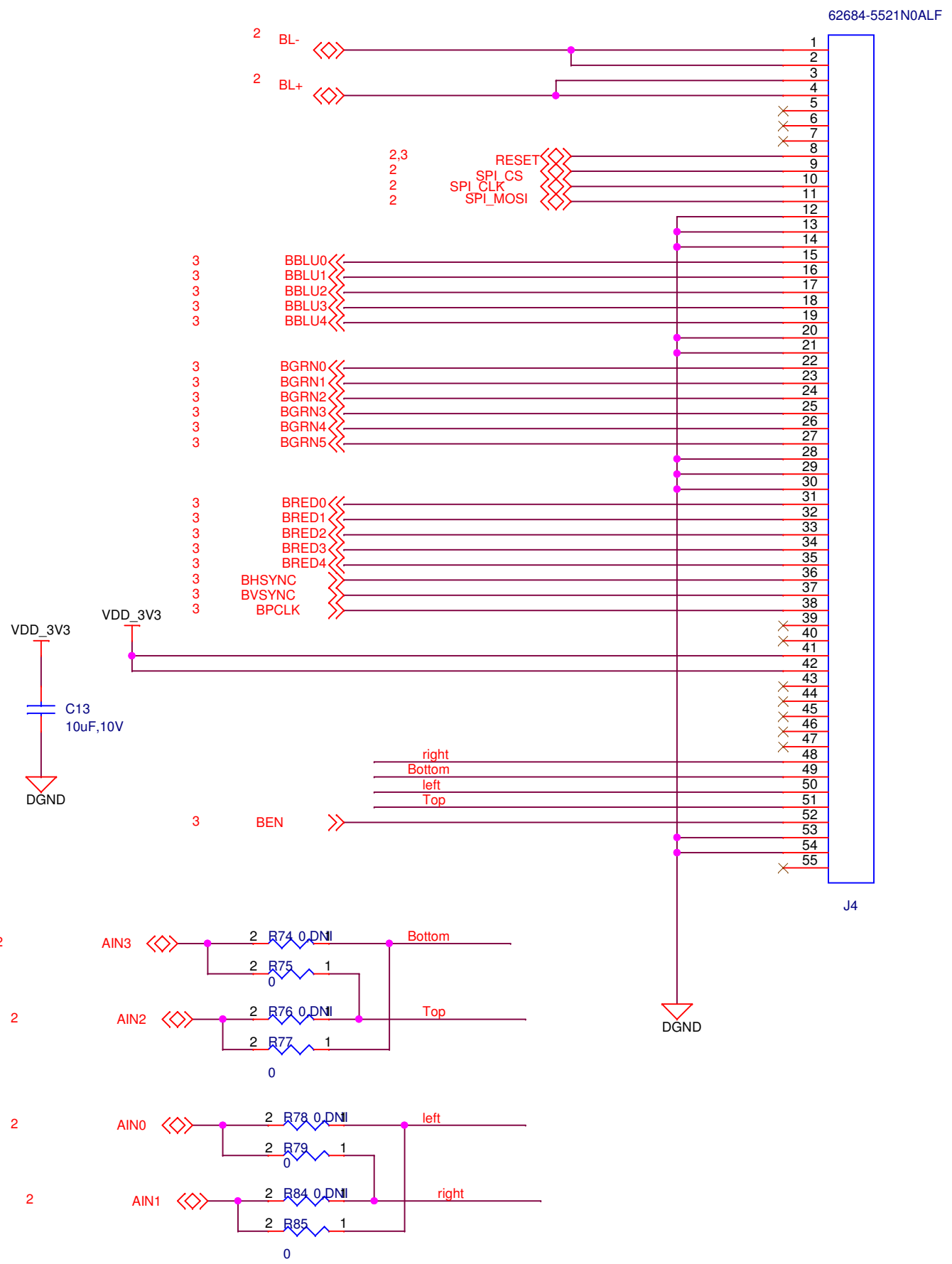
This work is licensed under the Creative Commons Attribution-Share Alike 3.0 Unported License. All derivative works are to be attributed to CircuitCo LLC.

beagleboardtoys is owned by CircuitCo LLC.

1380 Presidential Dr.
#100
Richardson, TX 75081
www.beagleboardtoys.com

 beagleboardtoys.com

Title		
BeagleBone LCD3 Cape BUFFER		
Size	Document Number	Rev
B	BB-BONE-LCD3-01	A1
Date:	Monday, May 14, 2012	Sheet 3 of 4



This work is licensed under the Creative Commons Attribution-Share Alike 3.0 Unported License. All derivative works are to be attributed to CircuitCo LLC.



1380 Presidential Dr.
#100
Richardson, TX 75081
www.beagleboardtoys.com

beagleboardtoys is owned by CircuitCo LLC.

Title		
BeagleBone LCD3 Cape LCD&TOUCH INTERFACE		
Size	Document Number	Rev
B	BB-BONE-LCD3-01	A1
Date:	Thursday, May 17, 2012	Sheet 4 of 4