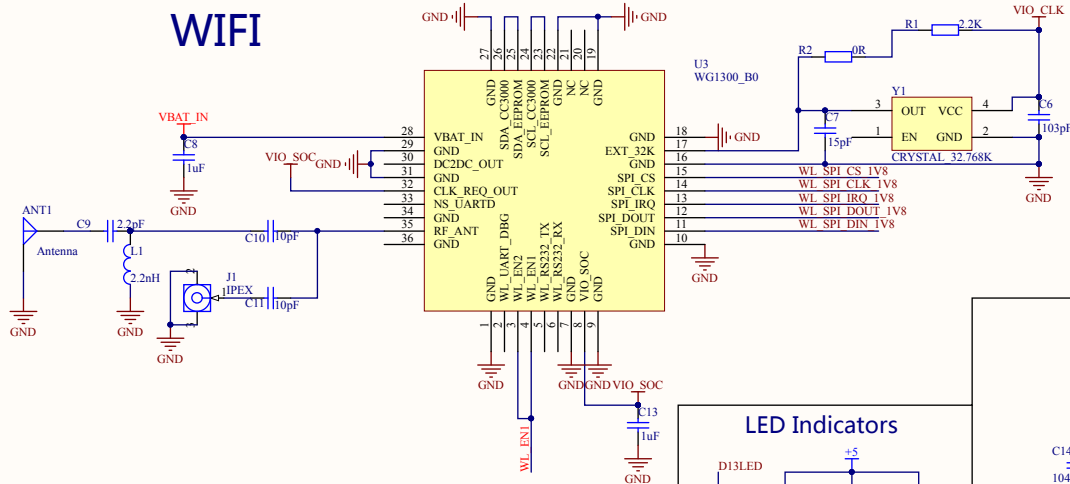
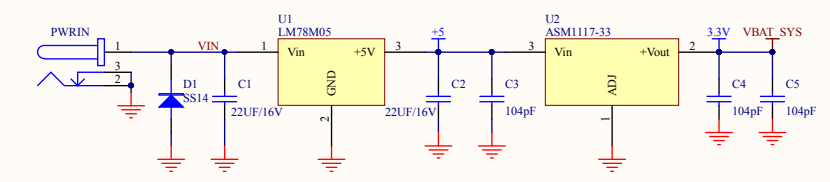


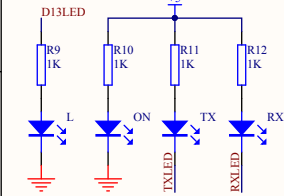
WIFI



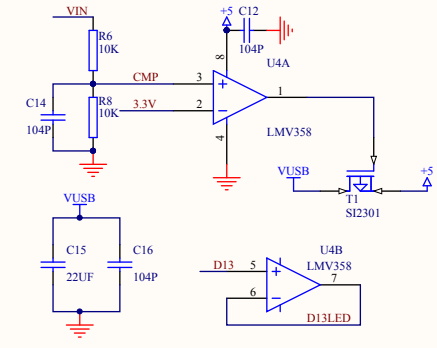
System Power Regulator



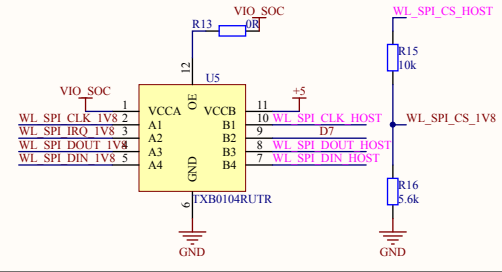
LED Indicators



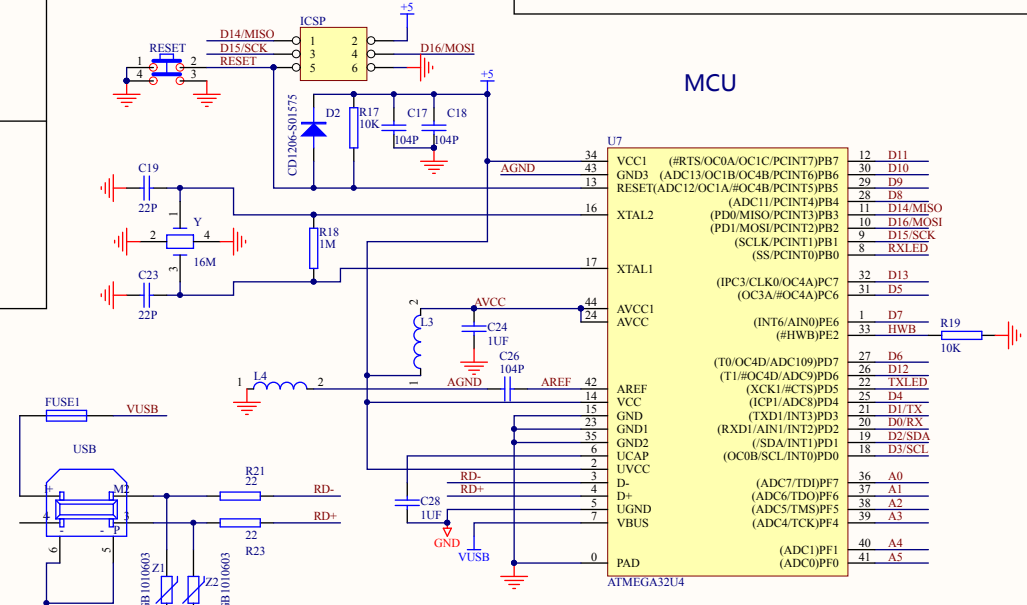
Power switch



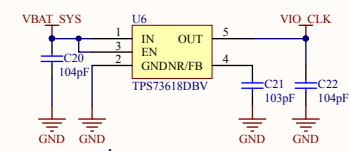
Logic converter



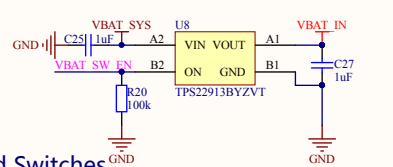
MCU



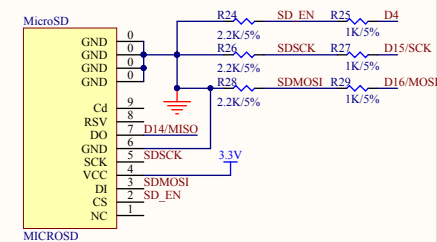
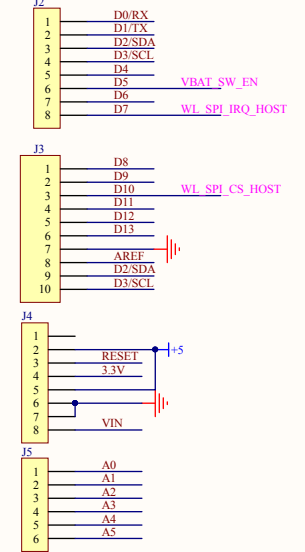
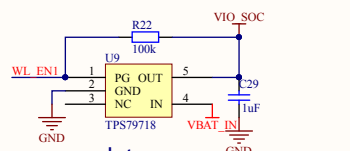
Linear power regulator



Load Switches



Linear power regulator



Connectors

Title			Wido - Designed by DFRobot		
Size	Number	Revision	v1.0		
A3					
Date:	2014/4/28	Sheet of			
File:	C:\Users\...Wido v1.0.SchDoc	Drawn By:			