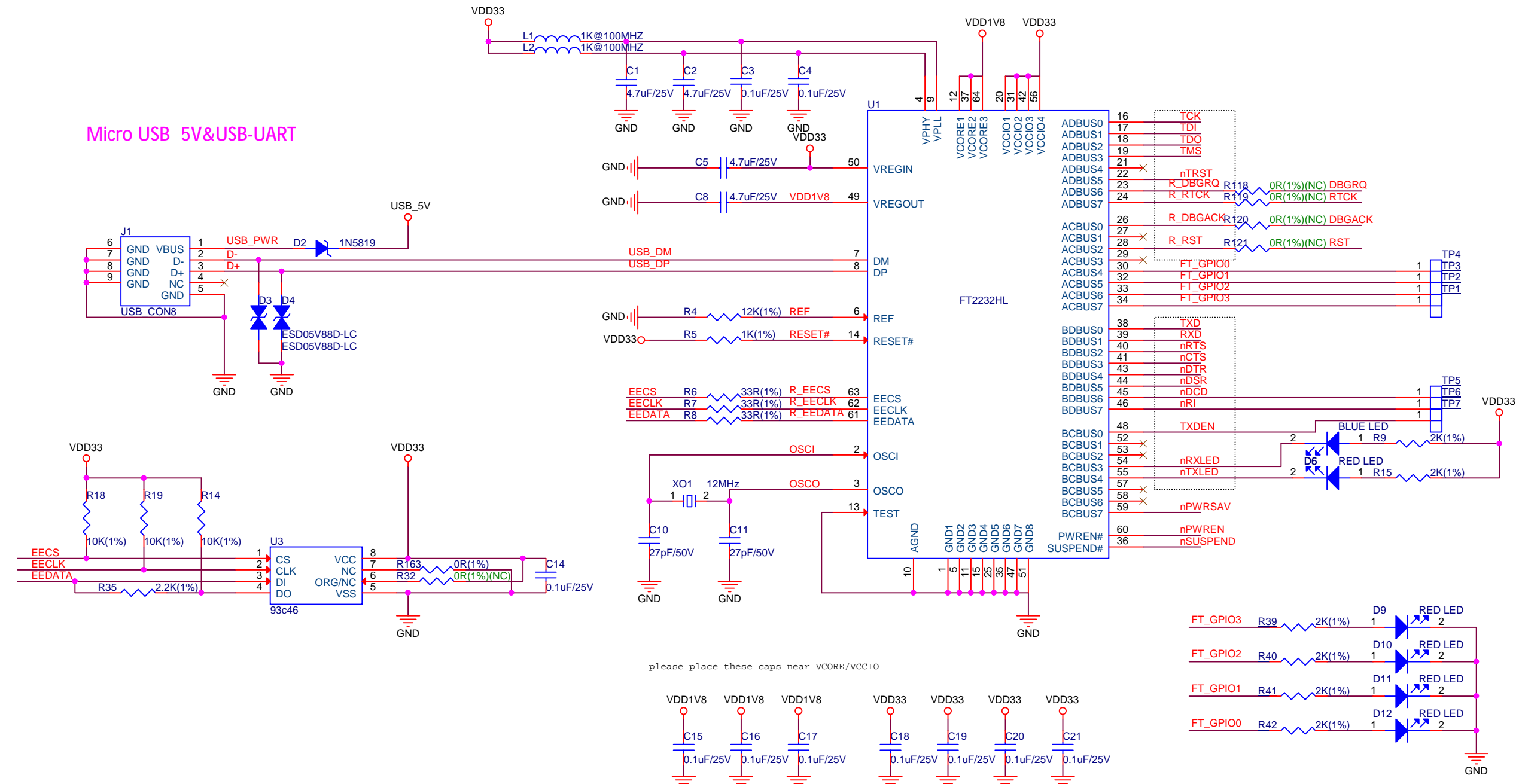
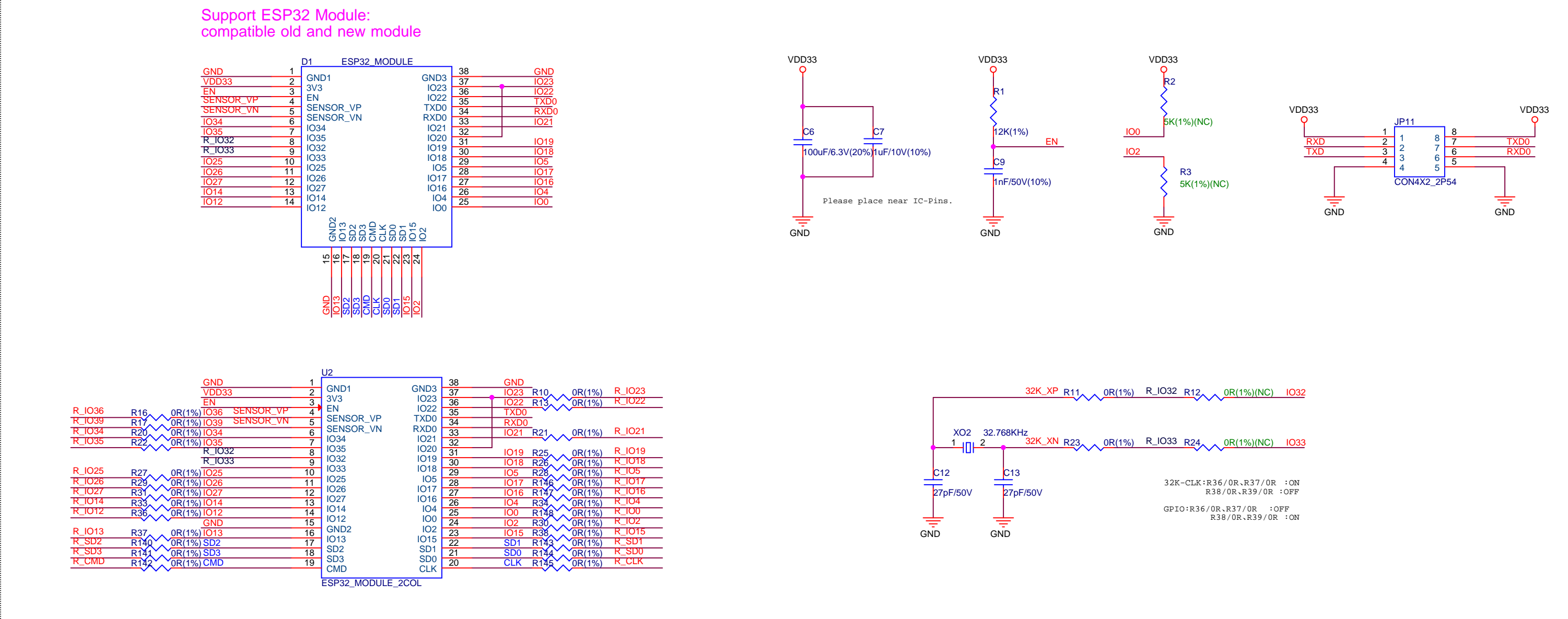


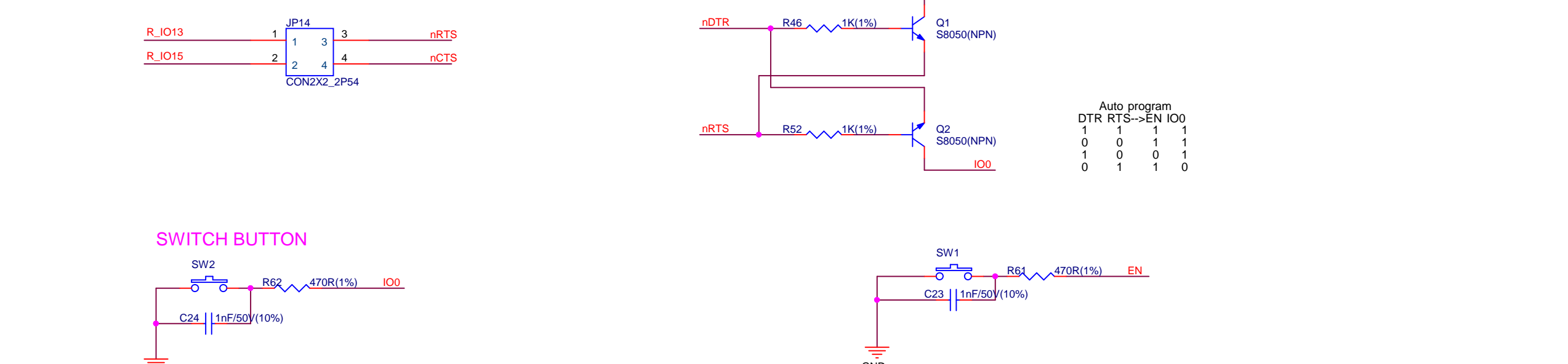
Serial-Port:



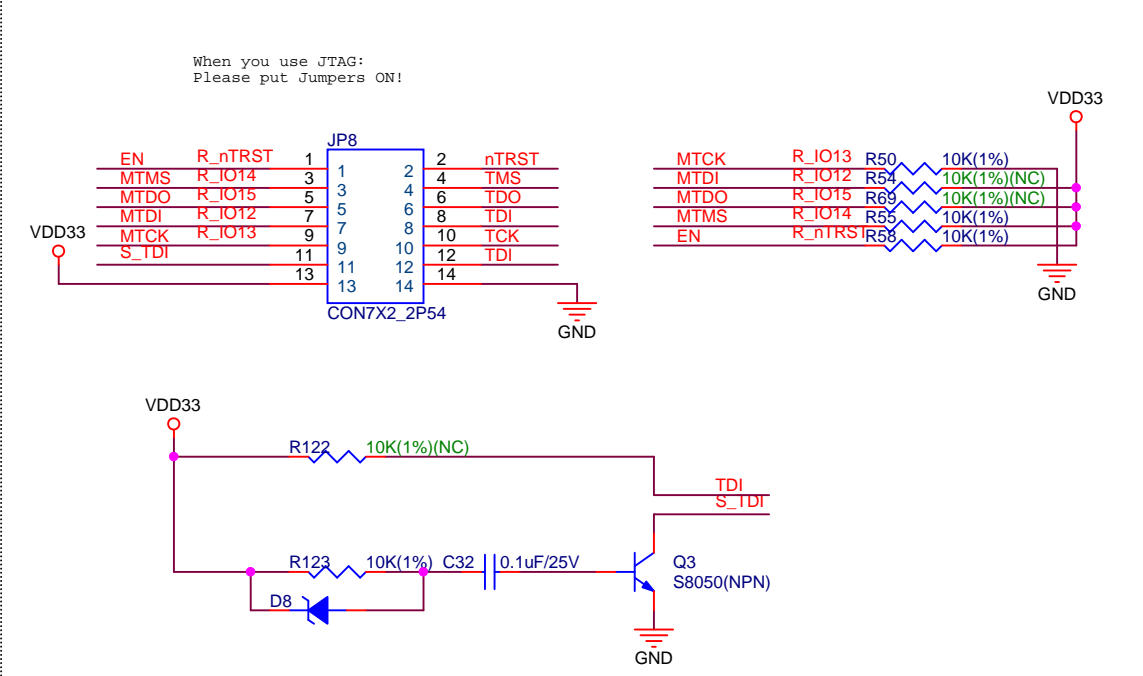
ESP32-Module:



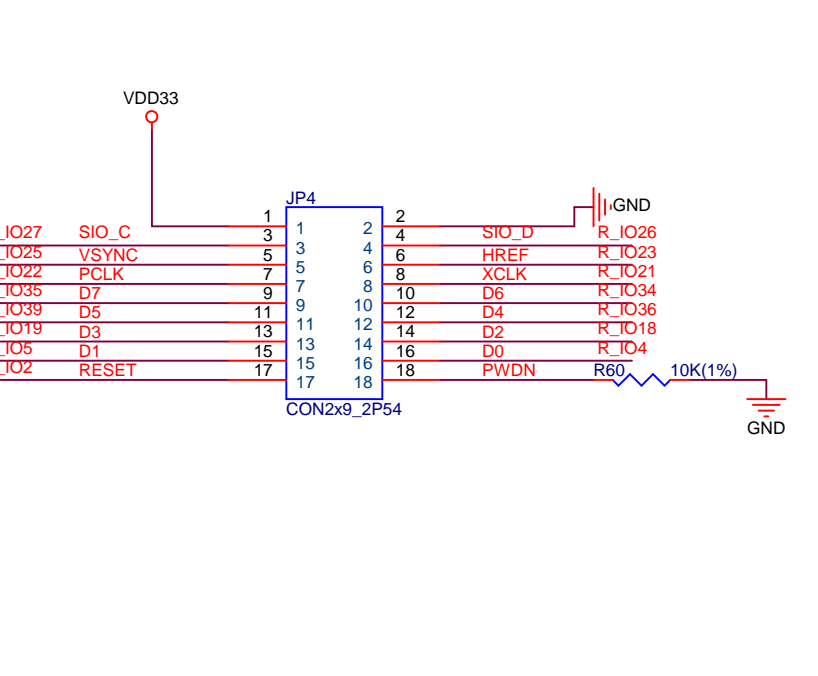
Switch:



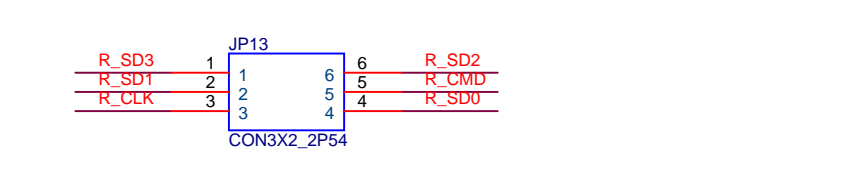
JTAG:



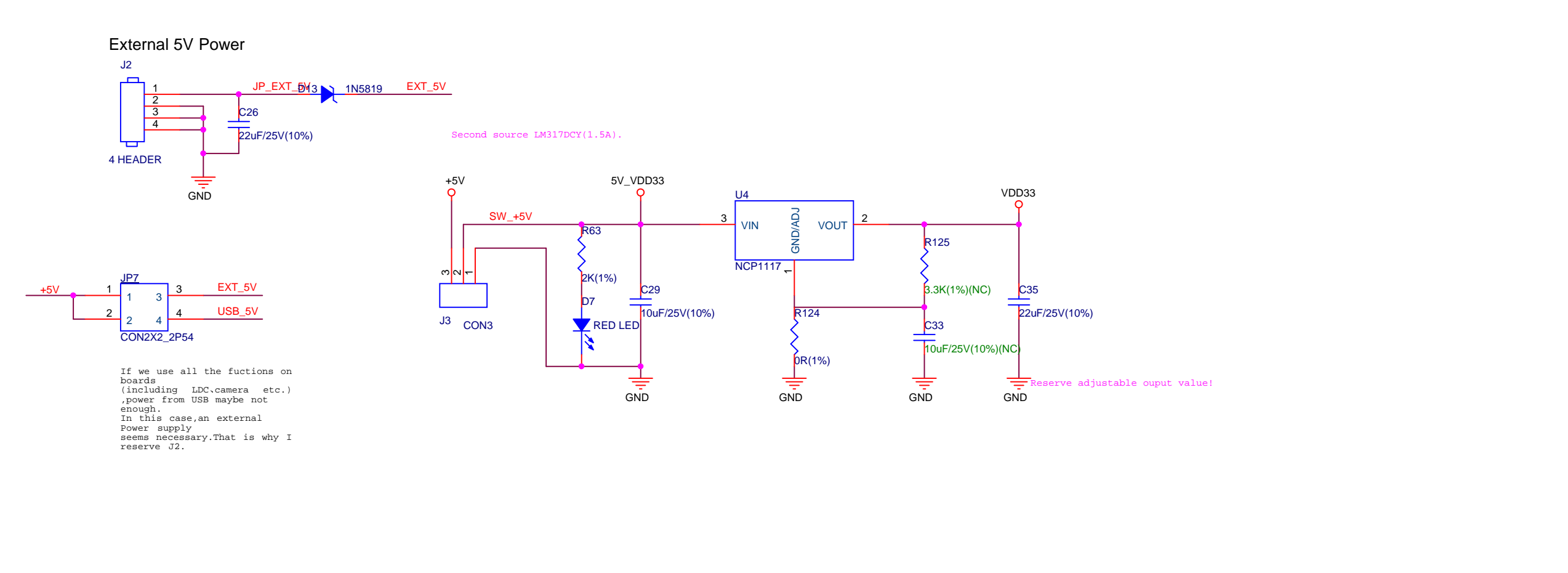
Camera:



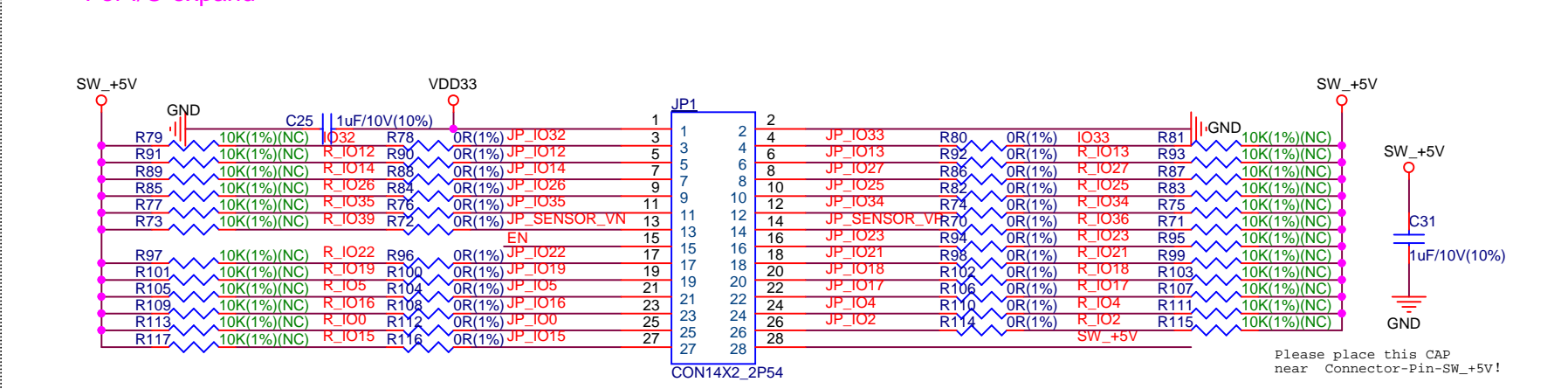
SPI:



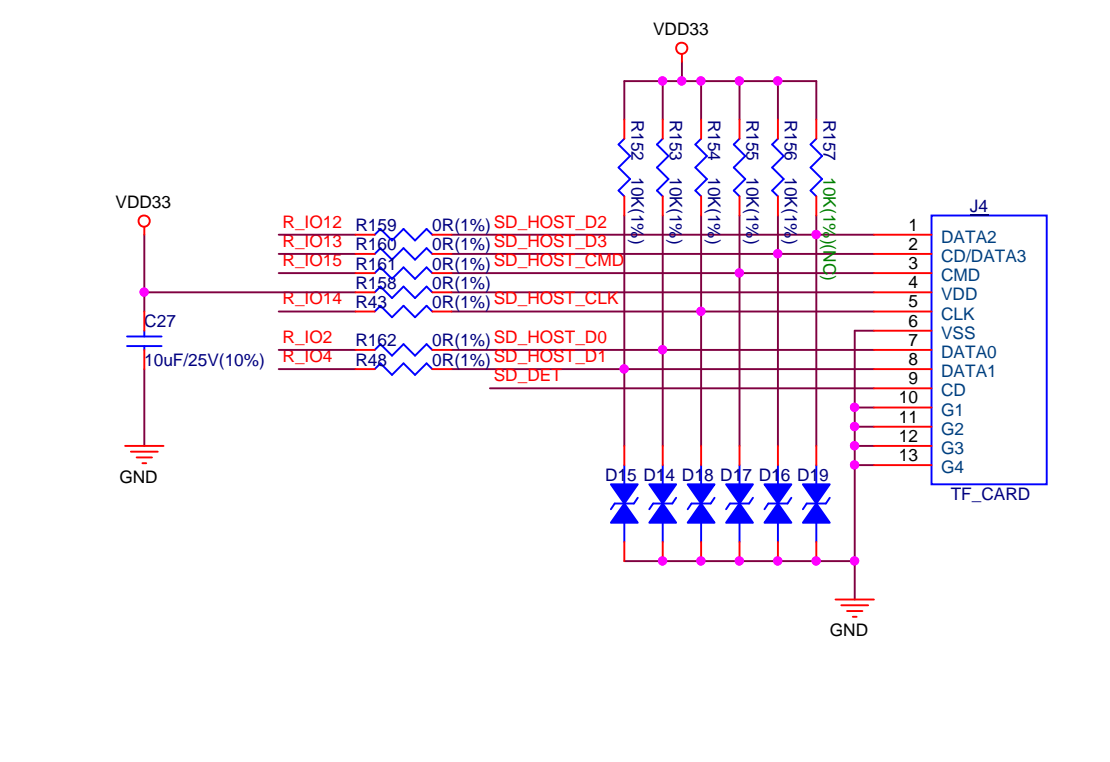
Power:



Connector:



SD Card:



LCD Screen:

