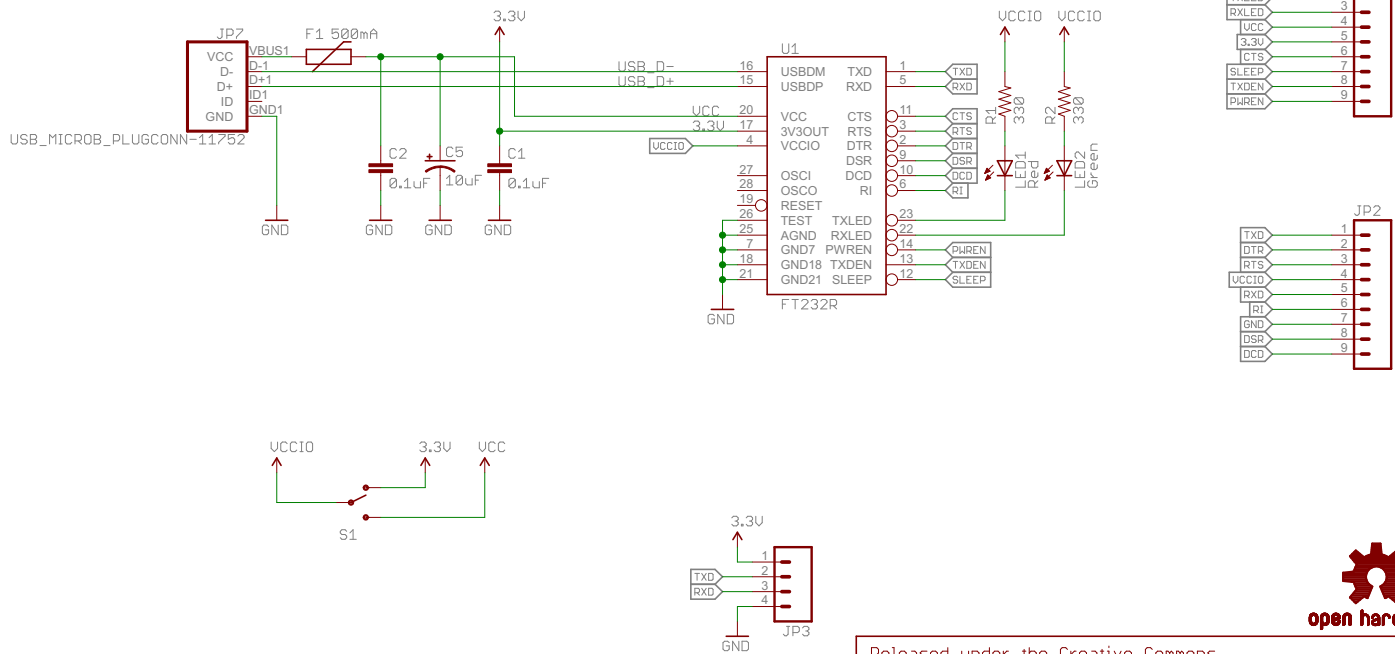


Note: The internal regulator can only source 50mA



Released under the Creative Commons Attribution Share-Alike 3.0 License	
<a href="http://creativecommons.org/licenses/by-sa/3.0">http://creativecommons.org/licenses/by-sa/3.0</a>	
TITLE: FT232R-Breakout_v37	SFE
Design by Nathan Seidle Revision by Beni Klopfenstein	REV: v3.7
Date: 4/1/2014 5:36:42 PM	Sheet: 1/1