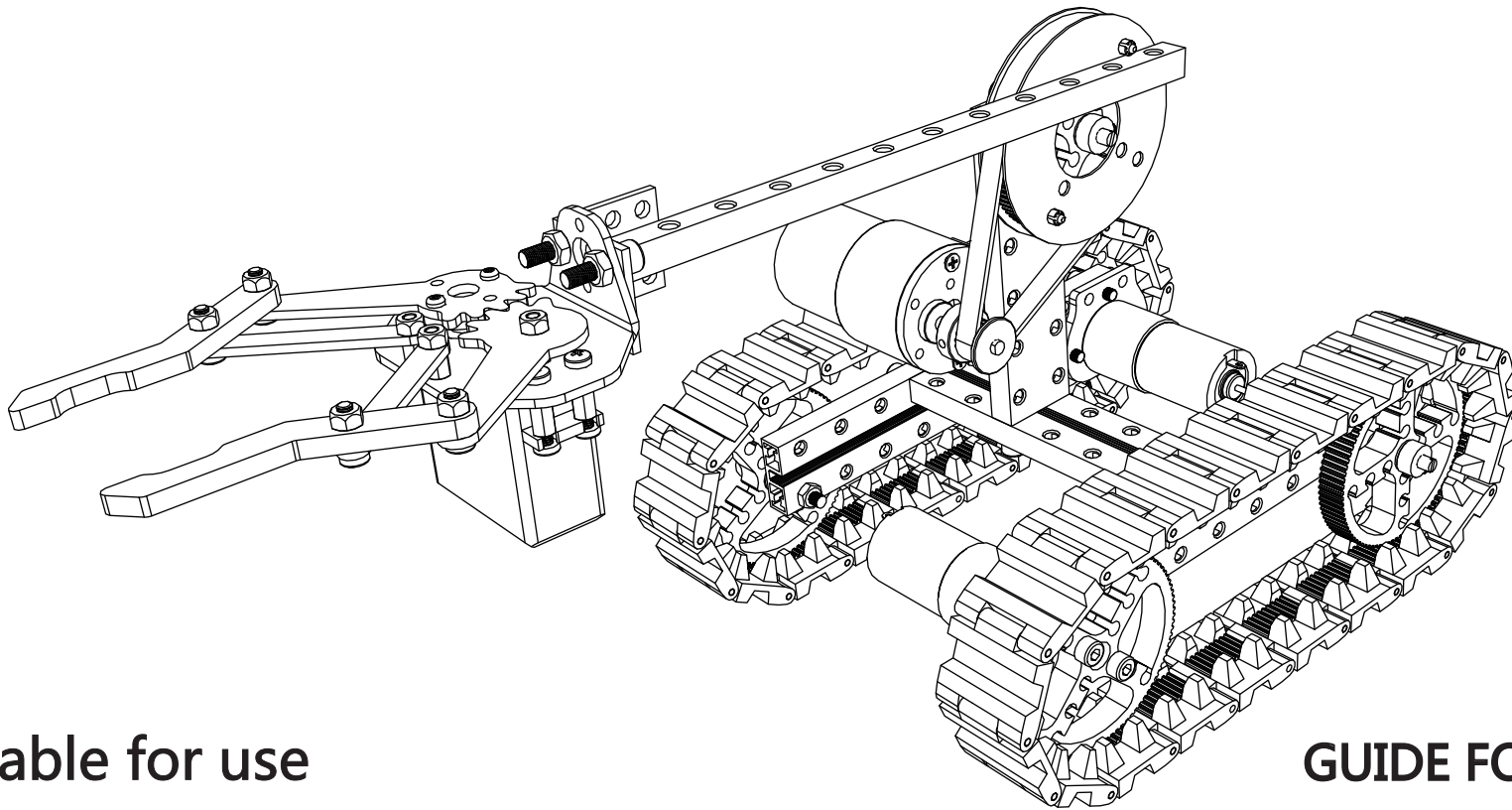


Makeblock

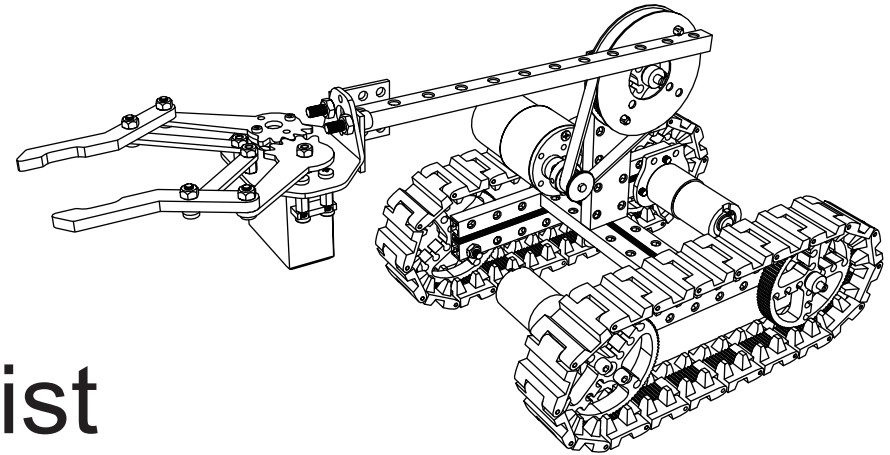
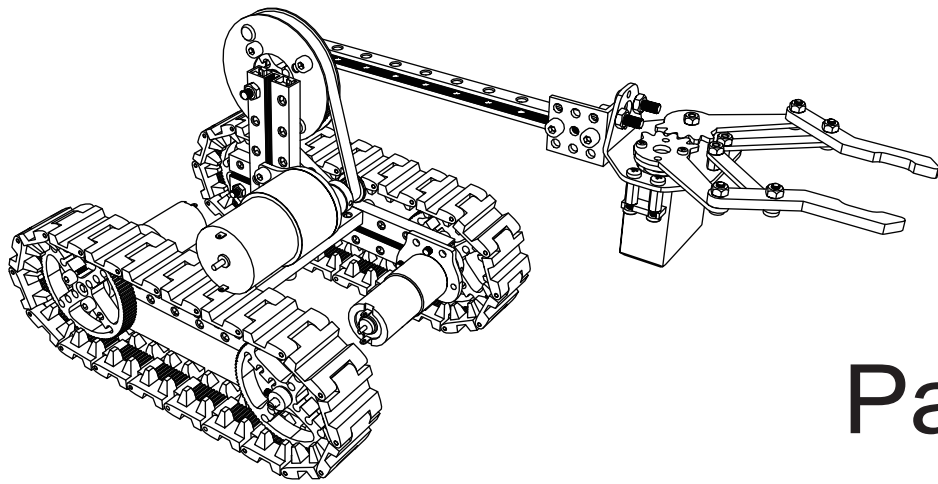
CONSTRUCT YOUR DREAMS



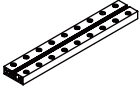
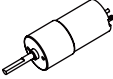


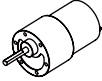


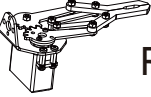










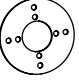







Suitable for use

- Advanced kit
- Ultimate kit
- Lab kit

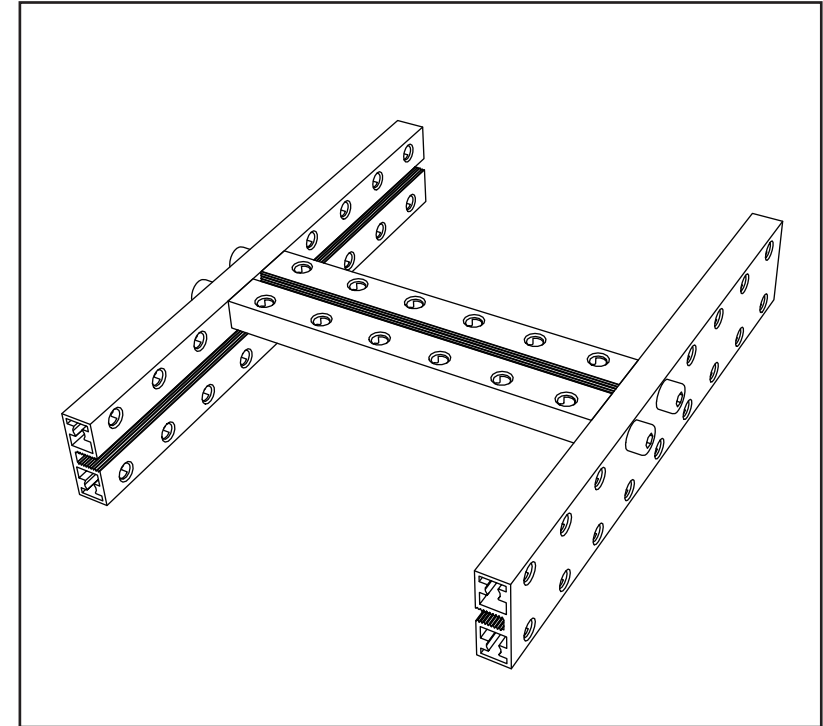
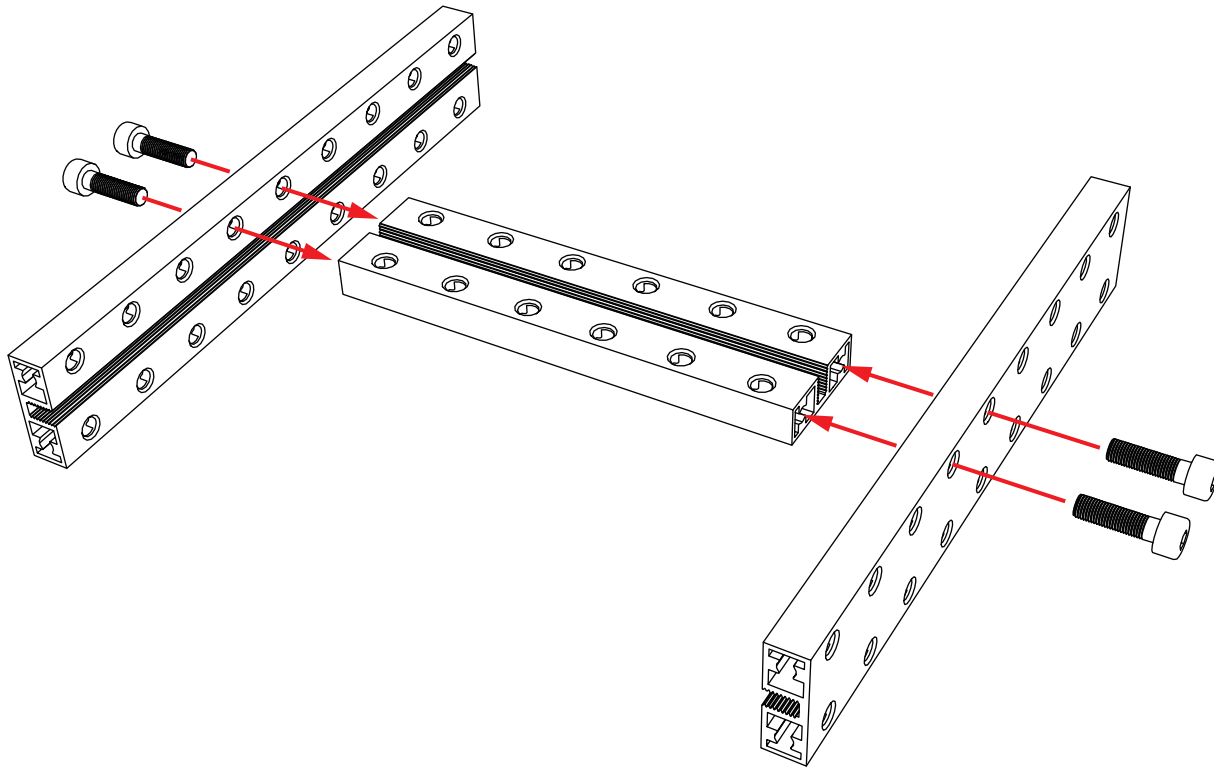
GUIDE FOR BUILDING THE **1 DOF ROBOT**



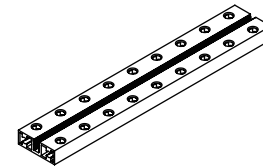
Part list

2x		Beam 0824-144	2x		DC Motor-25	5x		Nut M4
2x		Beam 0824-96	1x		DC Motor-37	4x		Screw M4x8
1x		Beam 0808-192	1x		Robot Gripper and Servo	18x		Screw M4X14
1x		Bracket 3x3	40x		Track	6x		Headless Screw M3x5
5x		Timing Pulley 90T	40x		Track Axle	6x		Countersunk Screw M3x8
1x		Timing Pulley 18T	3x		Threaded Shaft 4x31mm	1x		Timing Belt 123T
2x		Timing Pulley Slice 90T	2x		Shaft Connector-4	3x		Plastic Ring 4x7x2
2x		DC Motor-25 Bracket	3x		Shaft Collar 4mm	2x		Plastic Rivet R4120
1x		DC Motor 37-Bracket	6x		Flange Bearing 4x8x3mm			

1

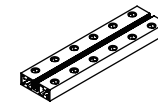


2x



Beam 0824-144

1x



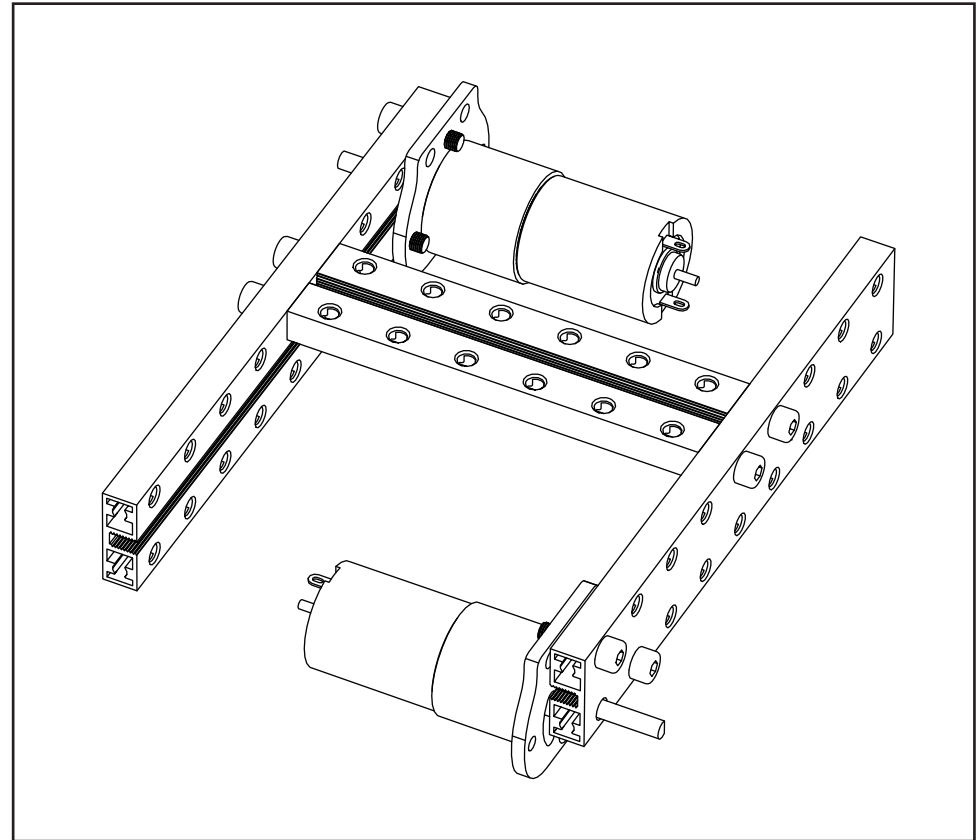
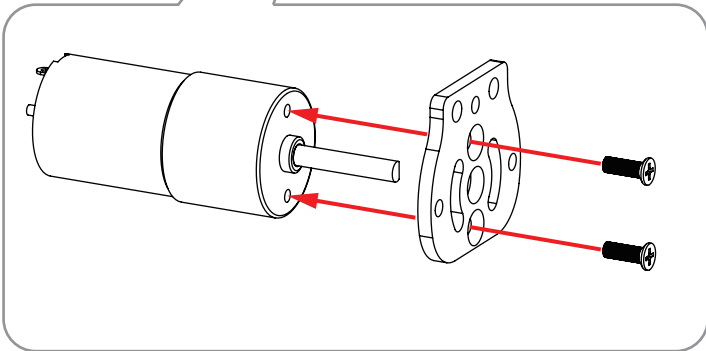
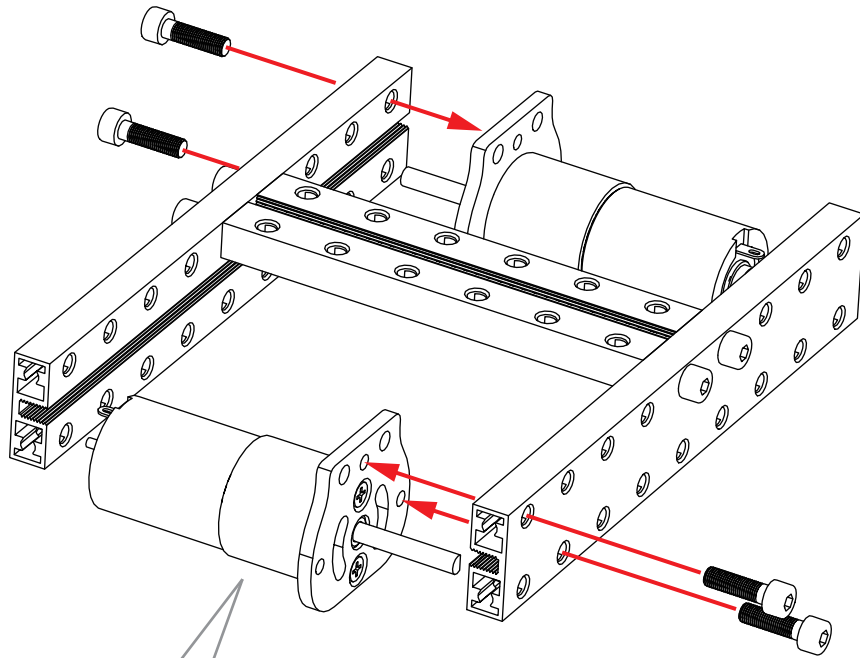
Beam 0824-96


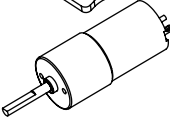


4x



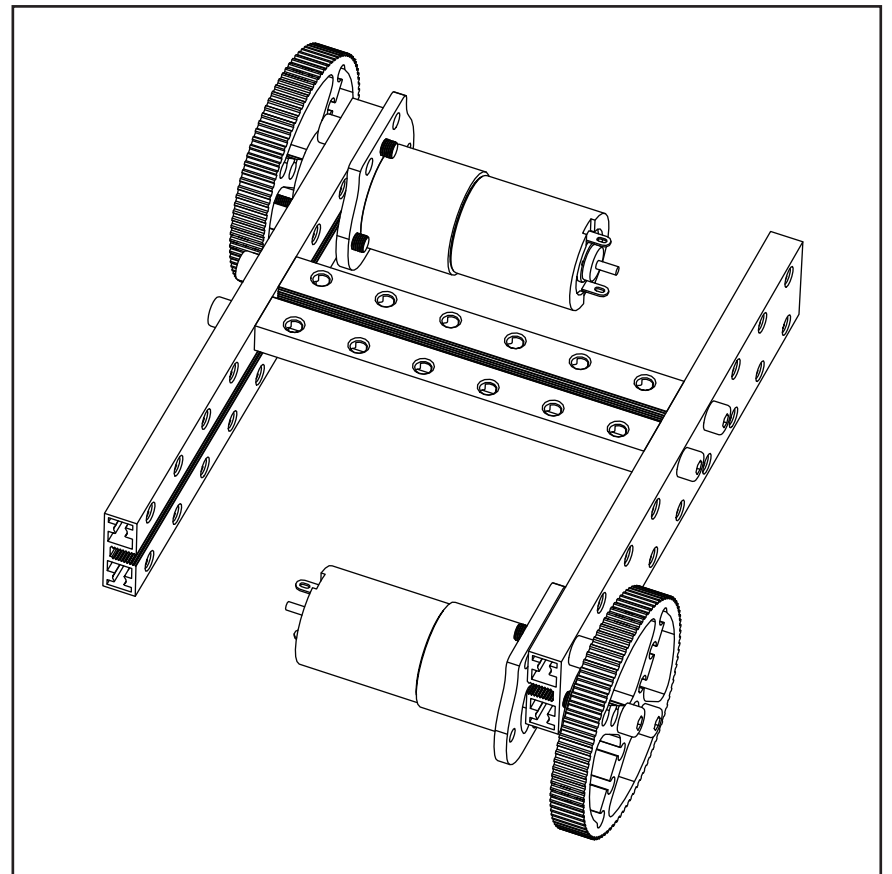
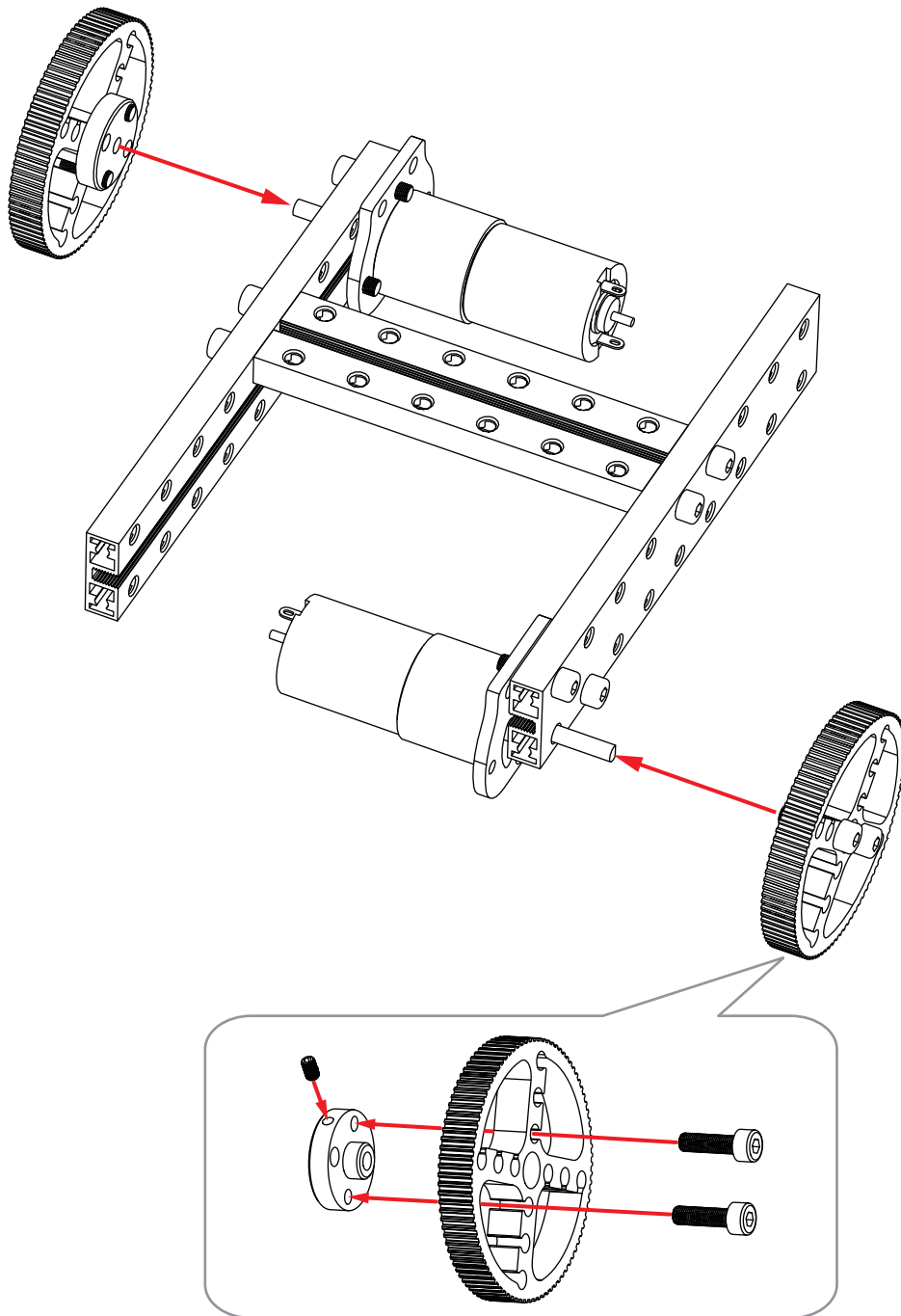
Screw M4X14





2



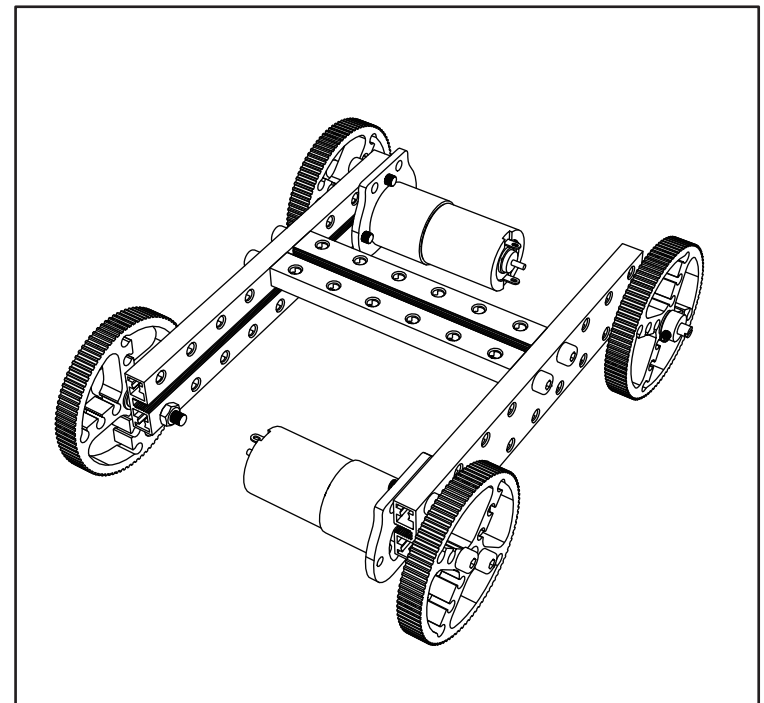
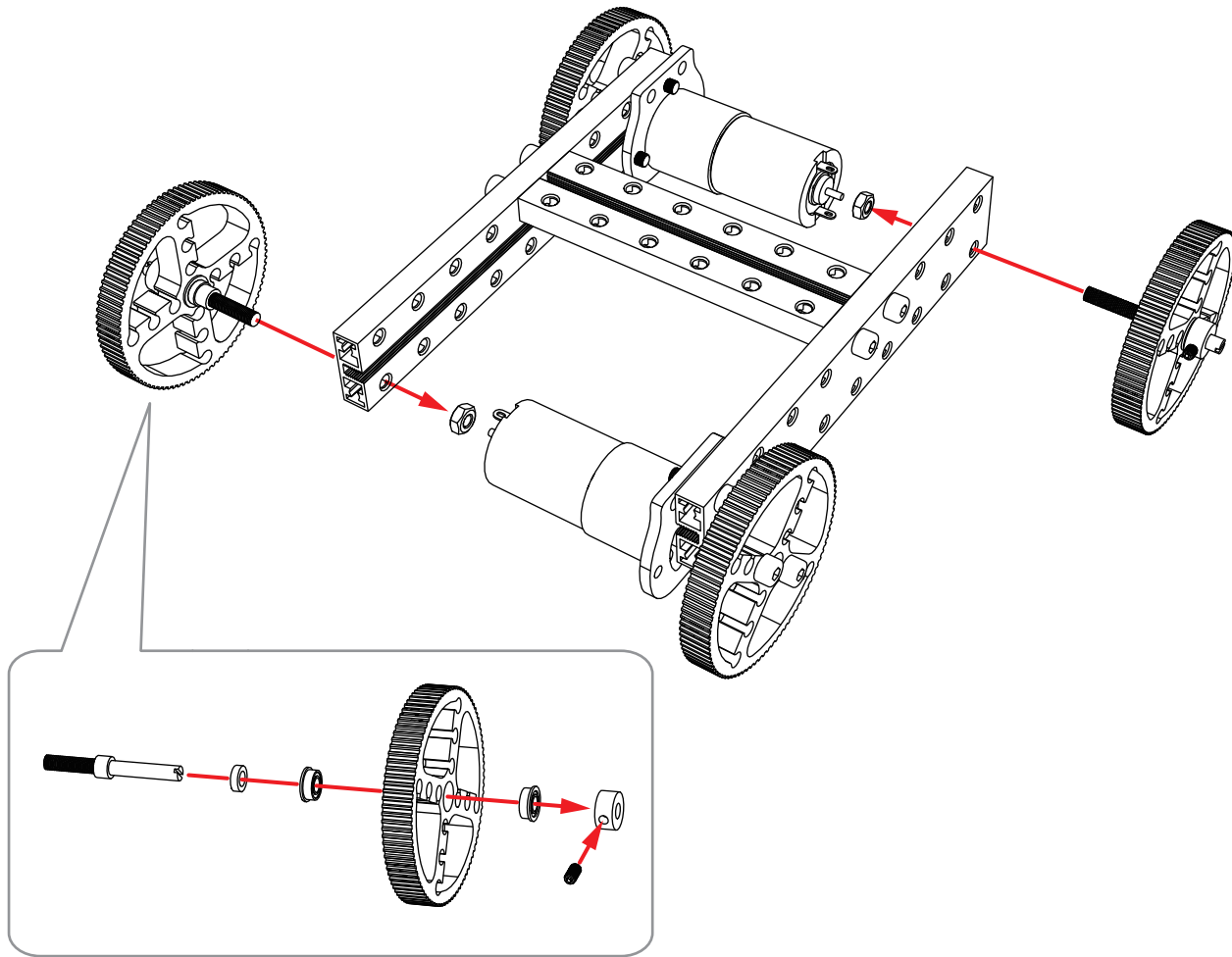
- 2x  DC Motor-25 Bracket
- 2x  DC Motor-25
- 4x  Screw M4X14
- 4x  Countersunk Screw M3x8








3



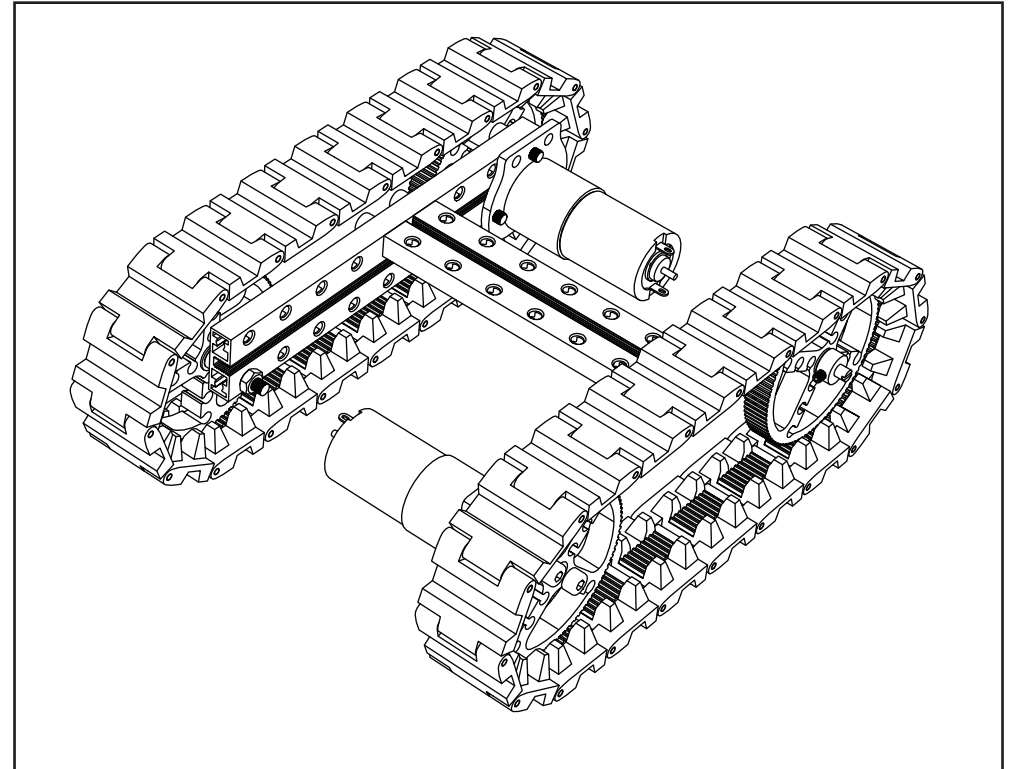
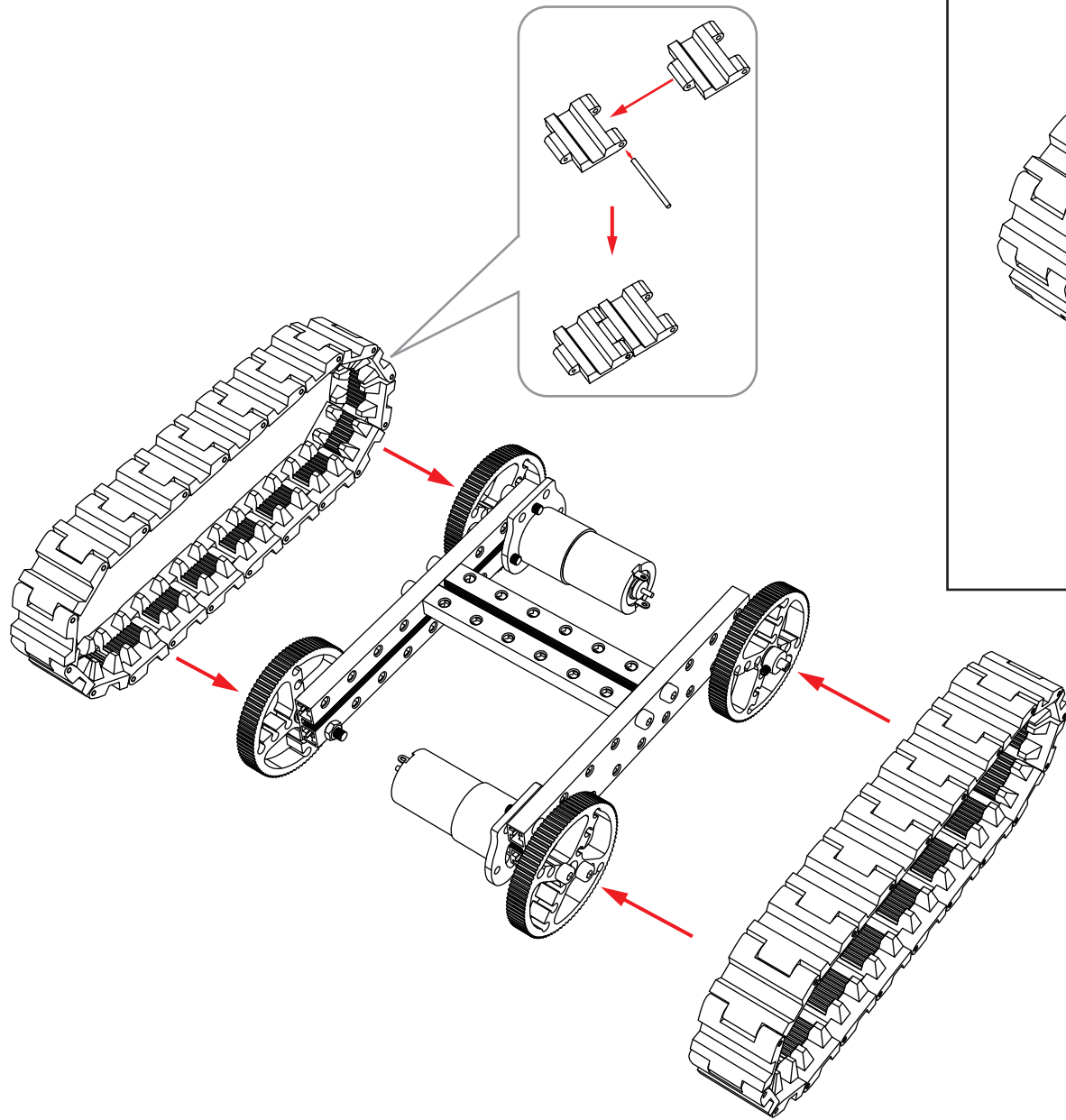
- 2x  Timing Pulley 90T
- 2x  Shaft Connector-4
- 4x  Screw M4X14
- 2x  Headless Screw M3x5

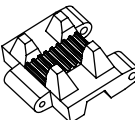
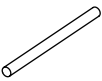
4



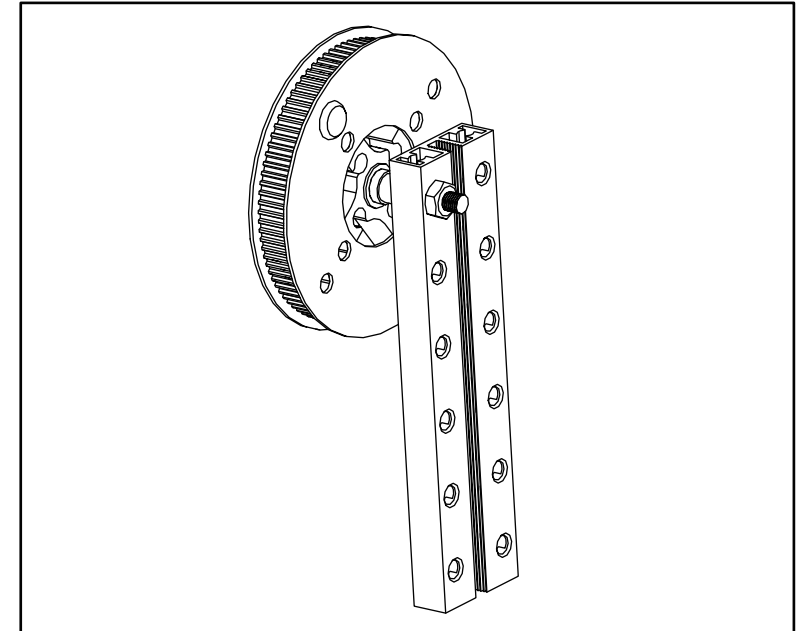
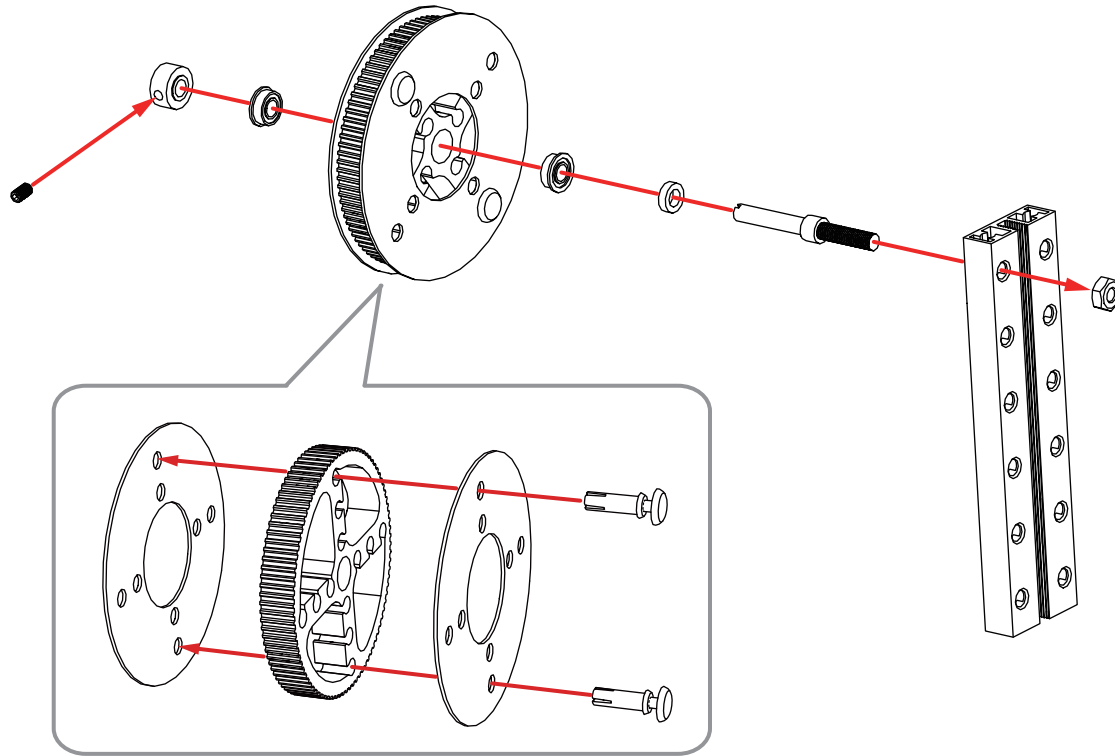
- 2x  Timing Pulley 90T
- 2x  Threaded Shaft 4x31mm
- 2x  Shaft Collar 4mm
- 4x  Flange Bearing 4x8x3mm
- 2x  Plastic Ring 4x7x2
- 2x  Nut M4
- 2x  Headless Screw M3x5

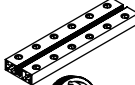









5



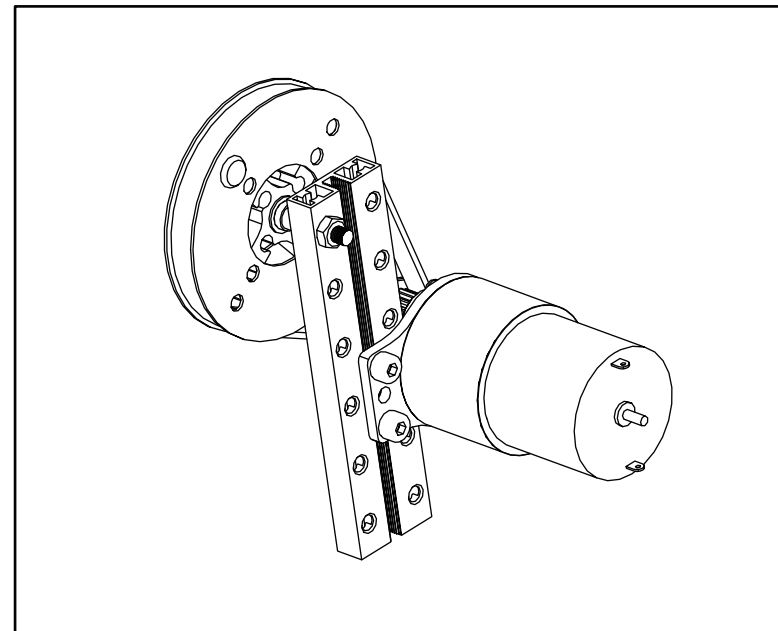
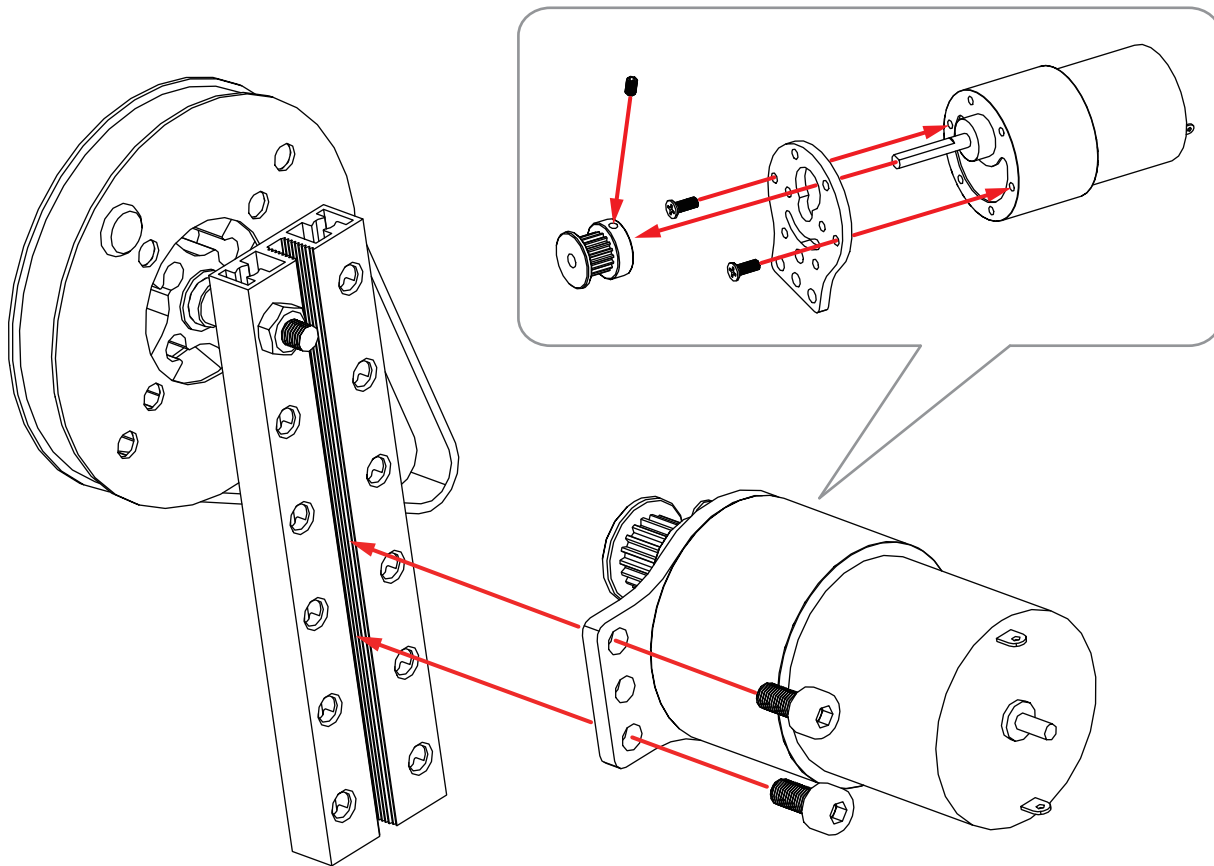
- 40x  Track
- 40x  Track Axle


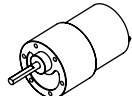





6



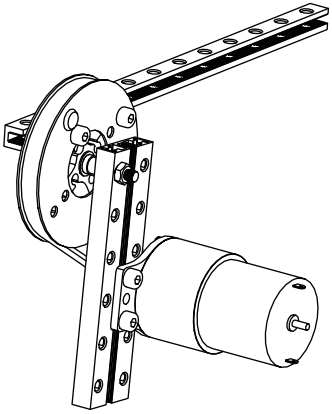
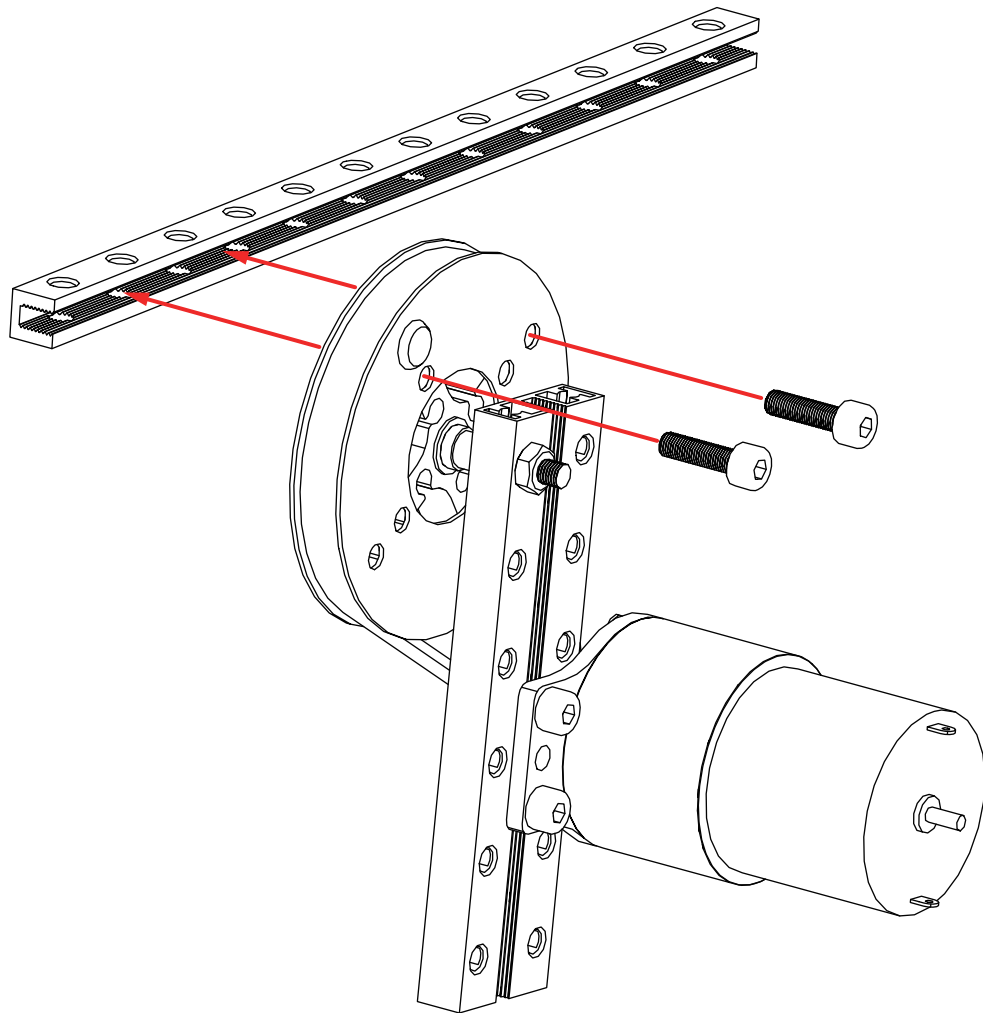
- | | | |
|----|---|-------------------------|
| 1x |  | Beam 0824-96 |
| 1x |  | Timing Pulley 90T |
| 1x |  | Timing Pulley Slice 90T |
| 2x |  | Plastic Rivet R4120 |
| 1x |  | Plastic Ring 4x7x2 |
| 2x |  | Flange Bearing 4x8x3mm |
| 1x |  | Threaded Shaft 4x31mm |
| 1x |  | Headless Screw M3x5 |
| 1x |  | Shaft Collar 4mm |
| 1x |  | Nut M4 |

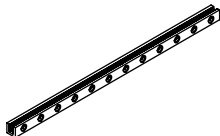

7



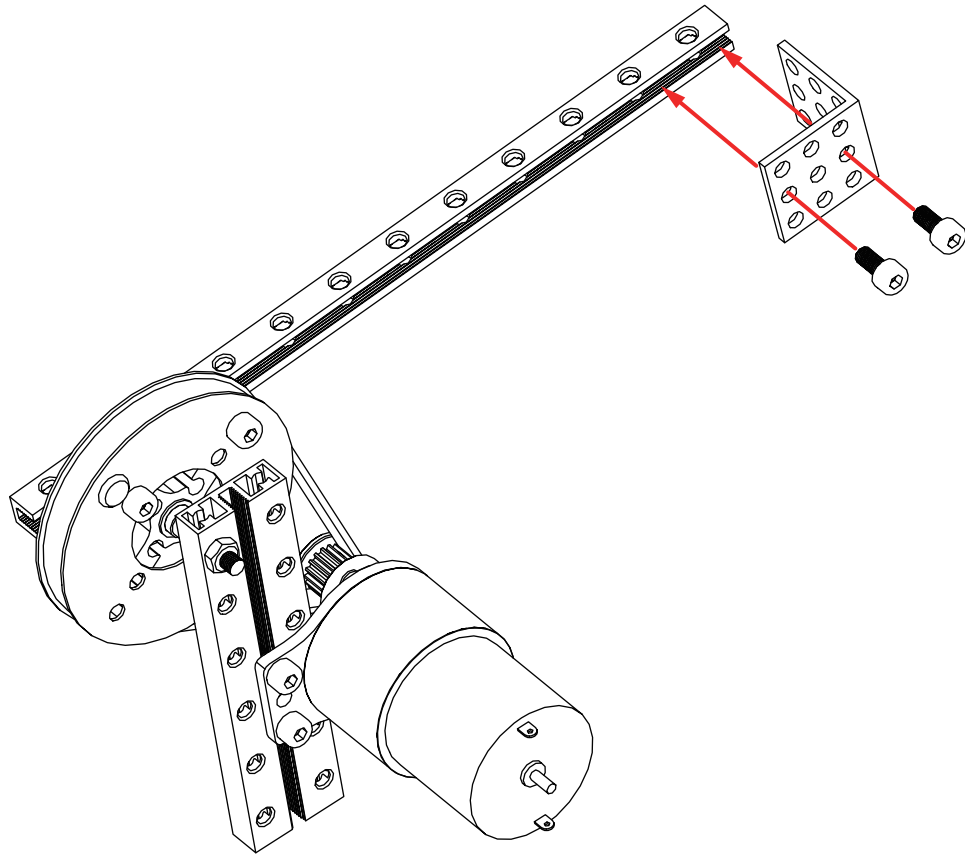
- 1x  Timing Belt 123T
- 1x  DC Motor-37
- 1x  DC Motor-37 Bracket
- 1x  Timing Pulley 18T
- 2x  Countersunk Screw M3x8
- 1x  Headless Screw M3x5
- 2x  Screw M4x8



8

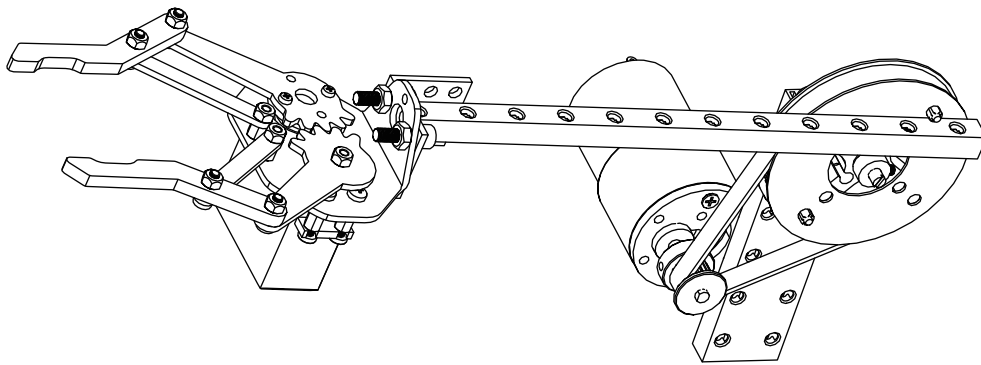
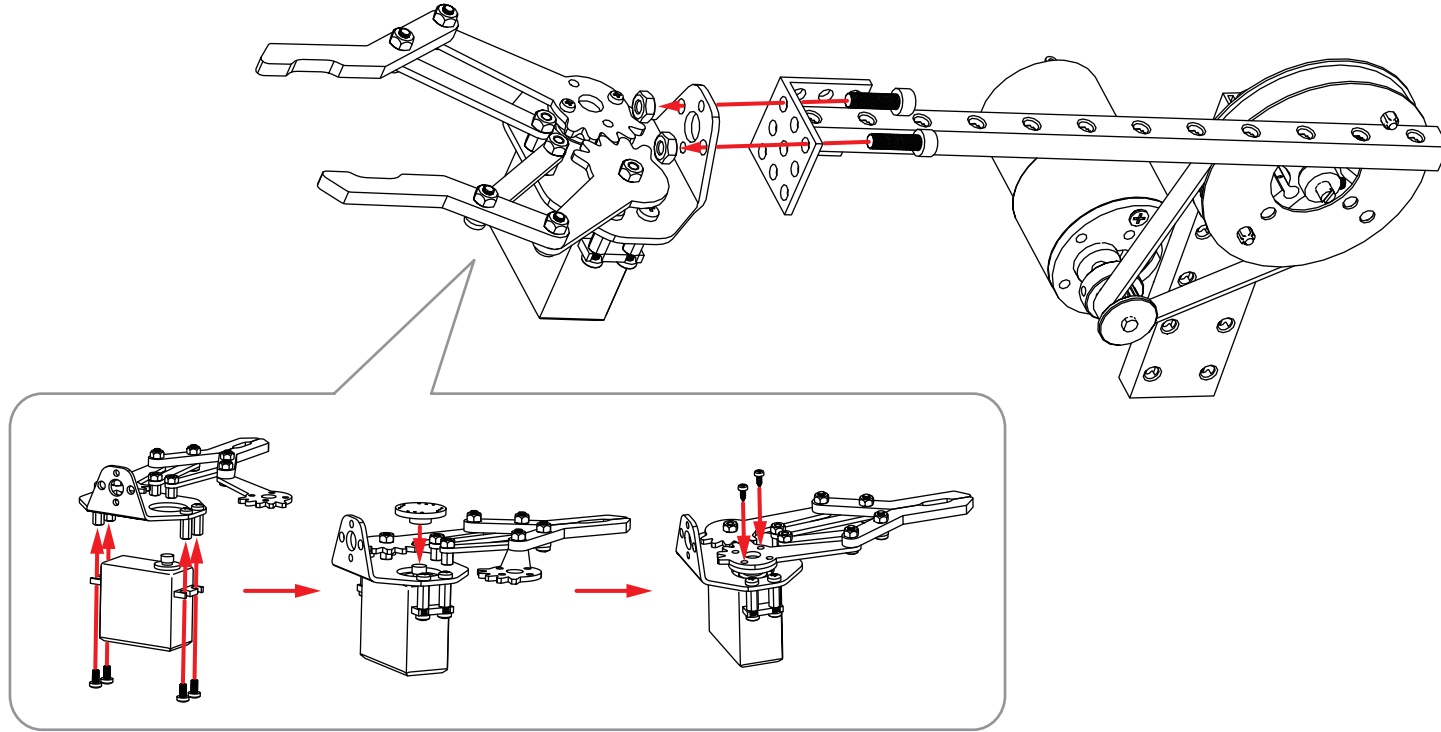


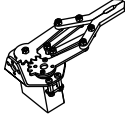


1x		Beam 0808-192
2x		Screw M4X14

The inset diagram shows the beam and screws being installed onto the motor assembly. The beam is being attached to the top of the support structure, and the screws are being used to secure it.

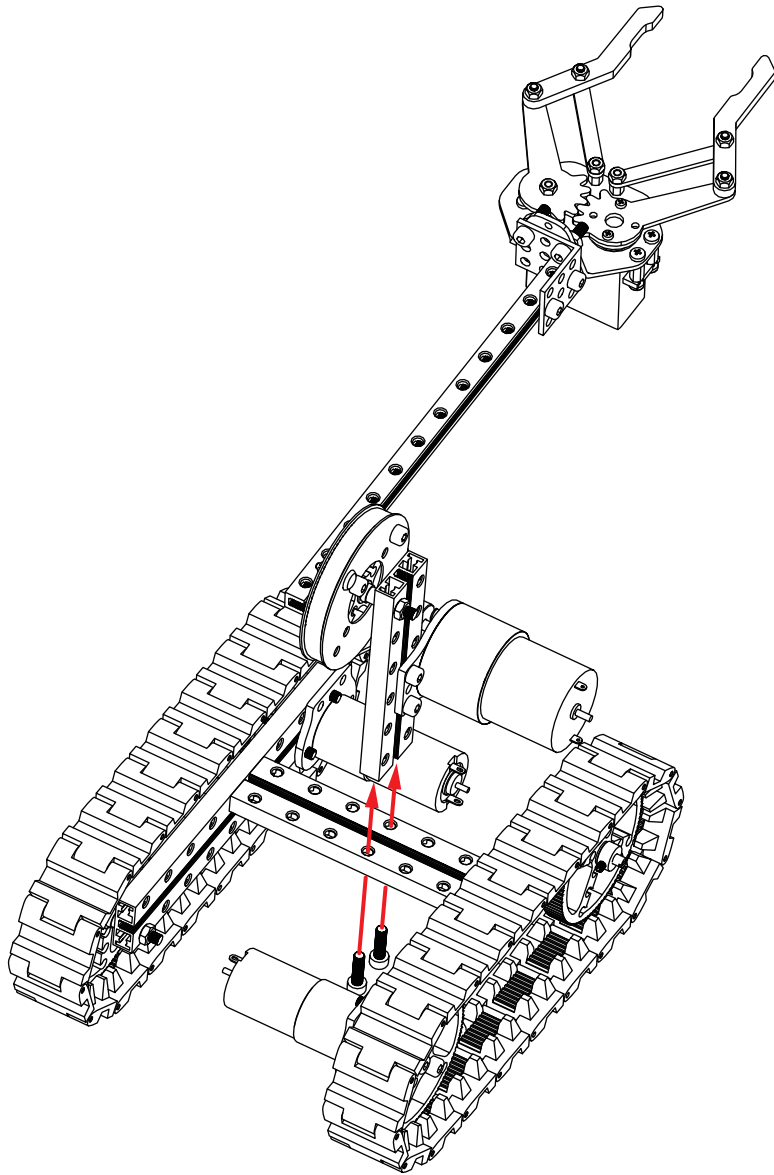


1x		Bracket 3x3
2x		Screw M4x8

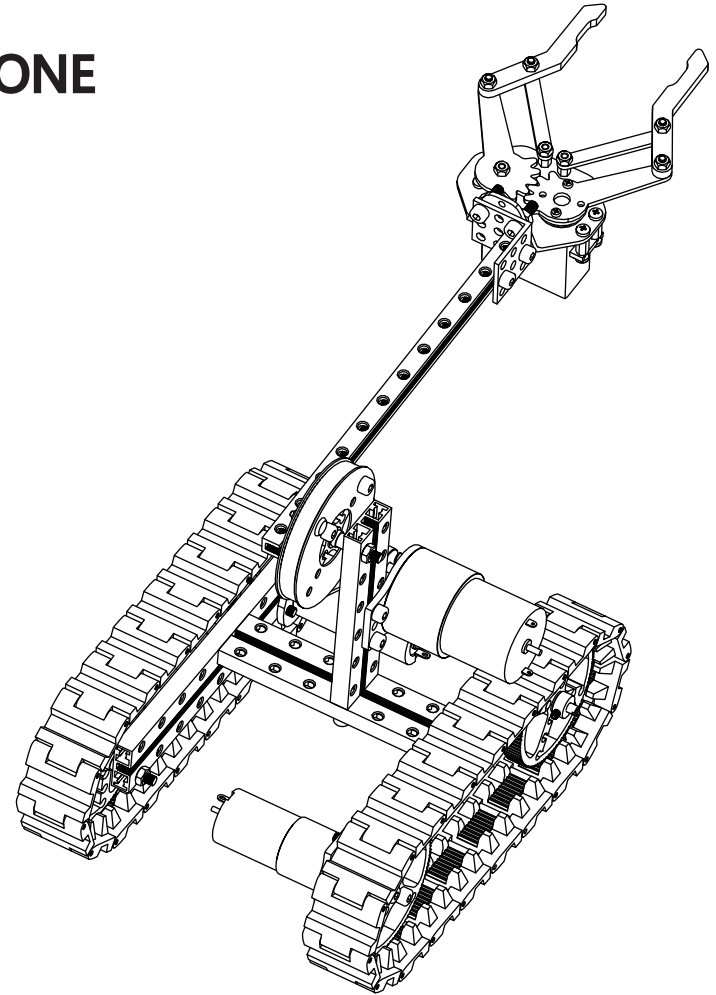


- 1x  Robot Gripper and Servo
- 2x  Screw M4X14
- 2x  Nut M4

11



DONE



2x



Screw M4X14