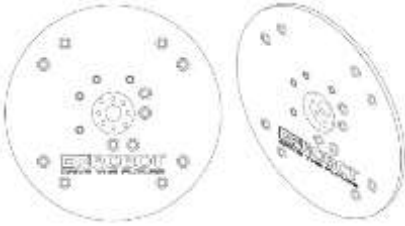
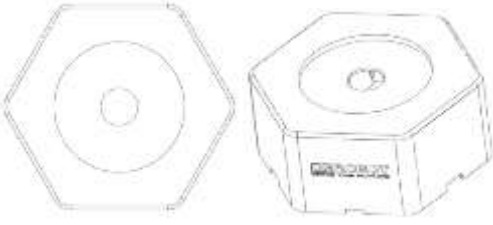
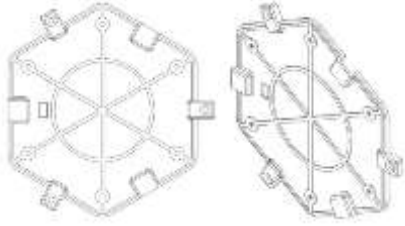
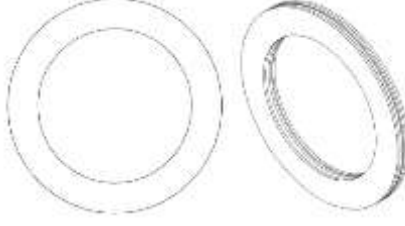
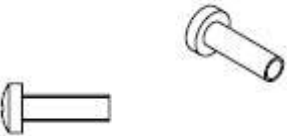


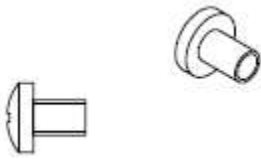
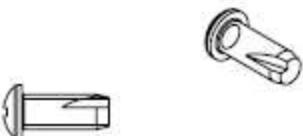
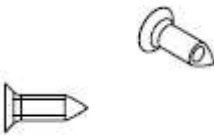

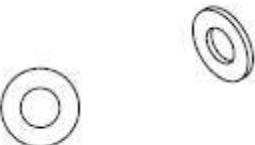
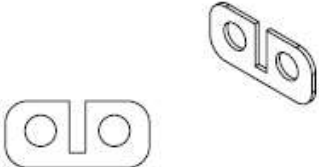
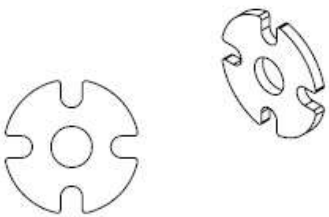
Assembly guide

1、 Preface

- 1.1 Please read this document carefully before Assembling.
- 1.2 ROB0114 can fit several servo products sold on DF market, but can't fit all kinds of servos. Please confirm your servos first.
- 1.3 These servos were tested that can fit ROB0114: SER0001、SER0002、SER0020、SER0030、SER0035.
- 1.4 This guide is based on SER0020.
- 1.5 Some screws included in servo products are necessary.

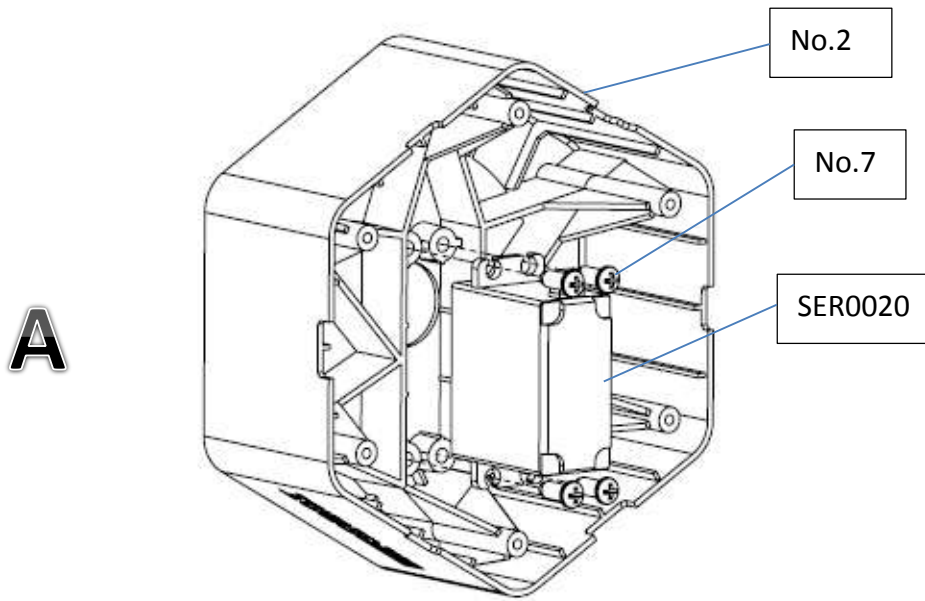
2、 Part list

No.	Items	Pictures	Quantity
1	Platform		1
2	Body		1
3	Bottom		1
4	AXK 5070 bearing		1
5	M3x10 cross recessed pan head screws		10

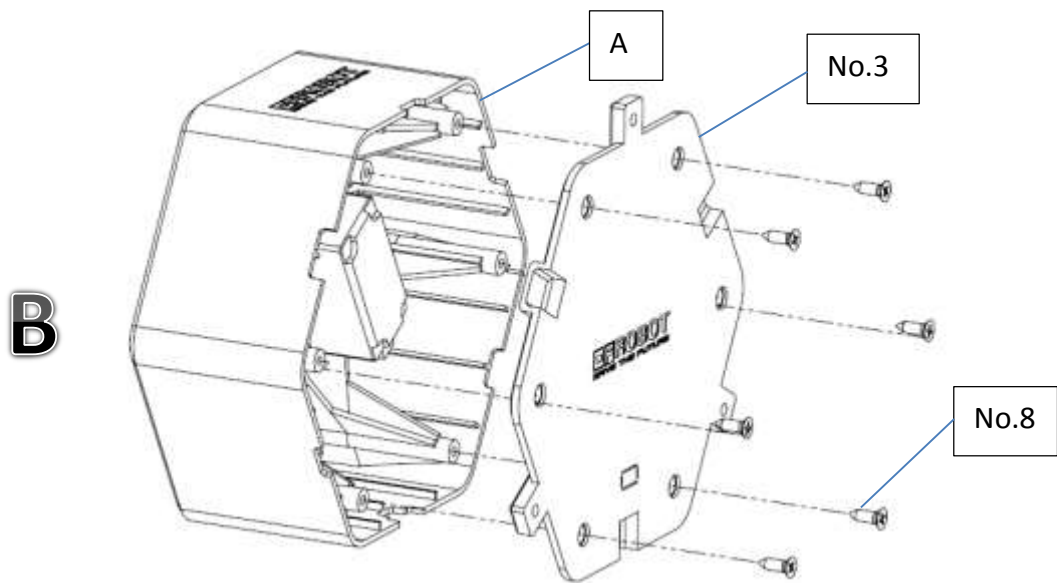
No.	Items	Pictures	Quantity
6	M4x6 cross recessed pan head screws		8
7	M4x10 gap cross recessed pan head tapping screws		4
8	ST2.9X9.5 cross recessed ctsk head tapping screws		6
9	M3 plain washers		10
10	M4 plain washers		10
11	Servo washers		2
12	servo horn washers		1

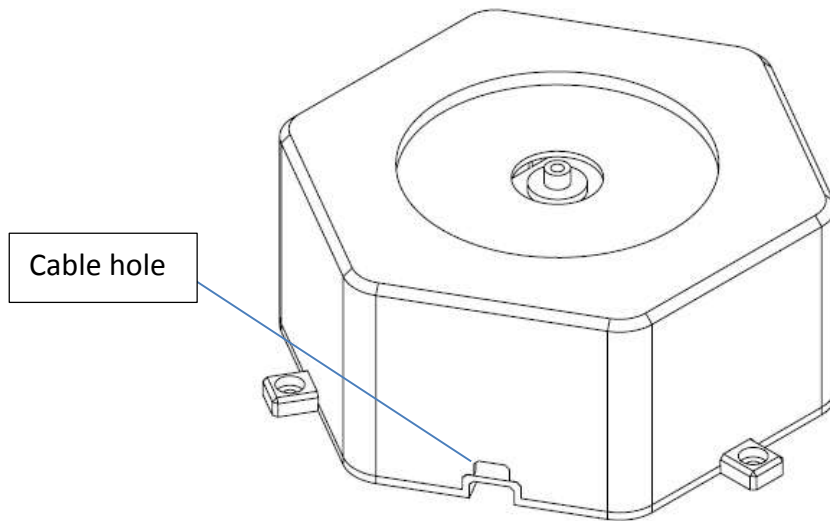
3、 Start Assemble

3.1 Servo Assemble

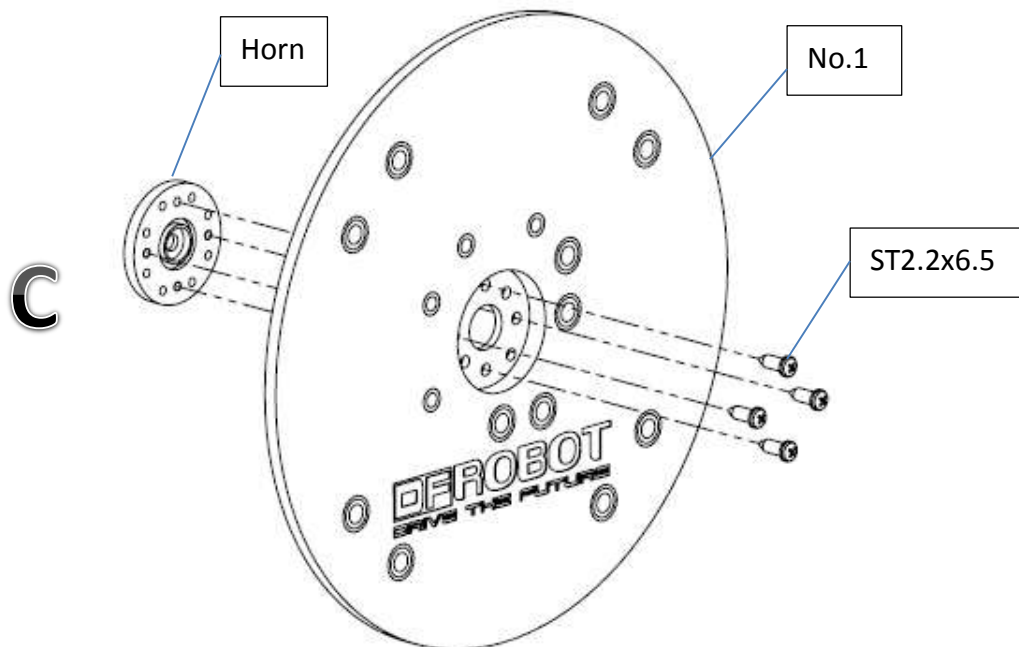


3.2 Bottom Assemble

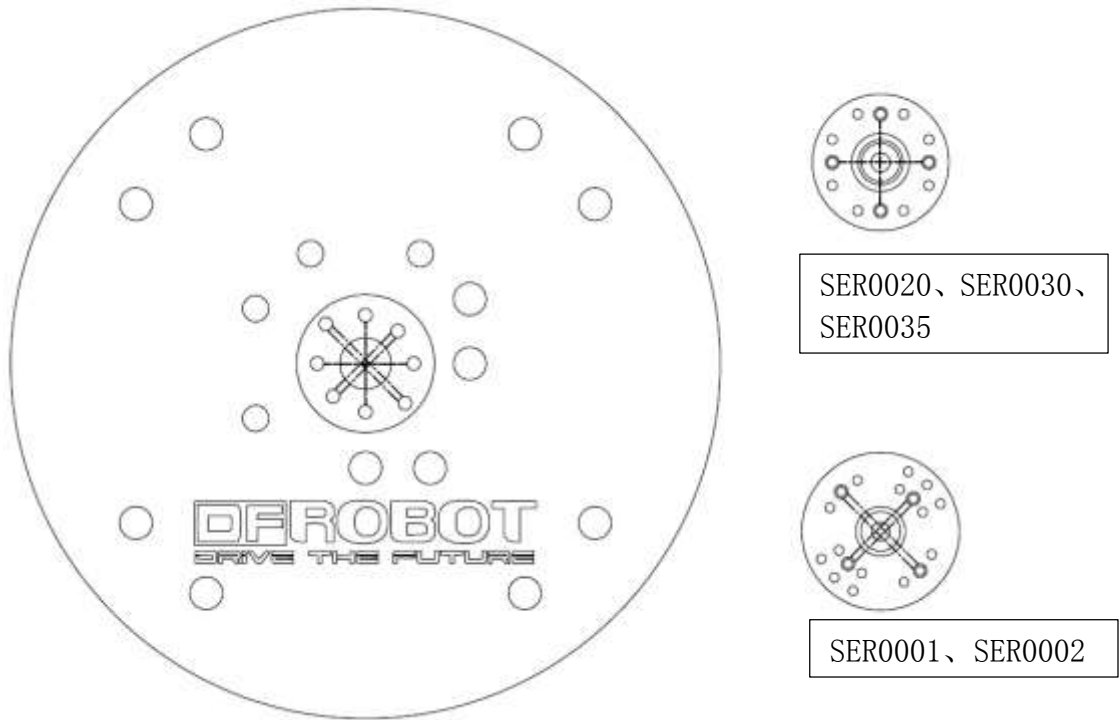




3.3 Plate Assemble

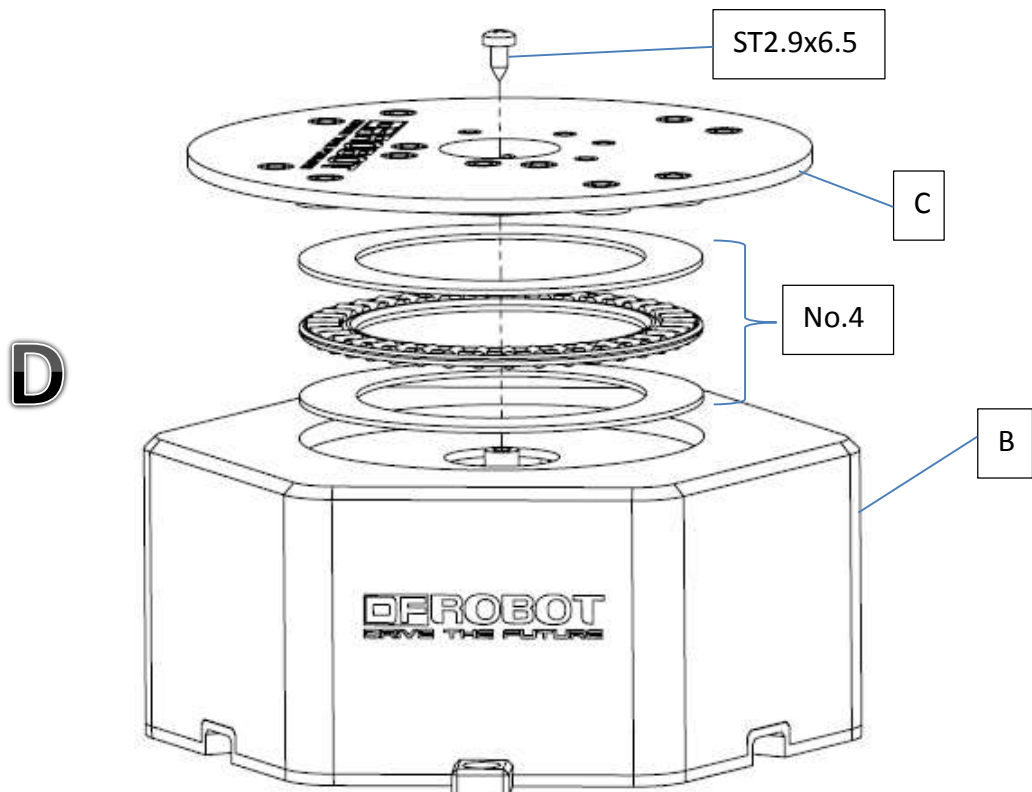


- ◆ ST2.2x6.5 are included in servo products.



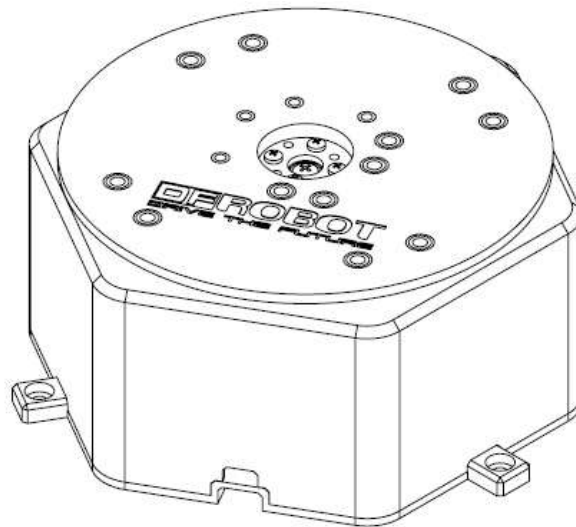
- ◆ Different servo product should use different holes.

3.4 Whole



- ◆ ST2.9x6.5 are included in servo products.

3.5 Complete

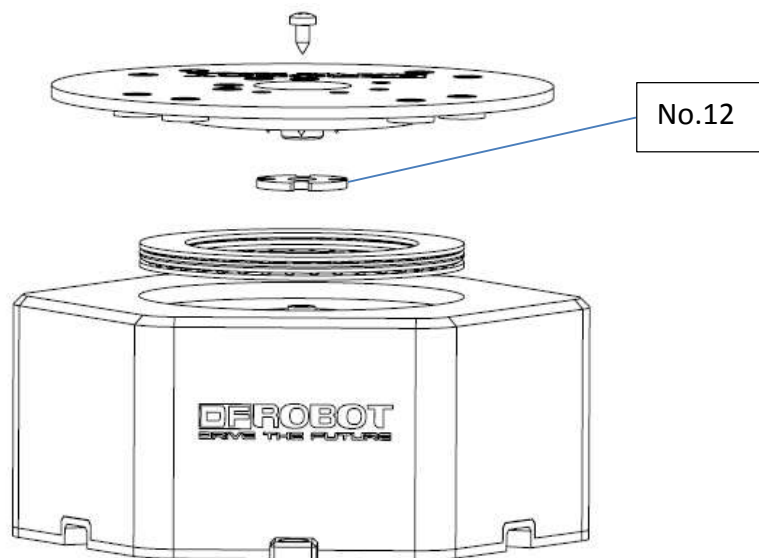


3.6 Fix the device

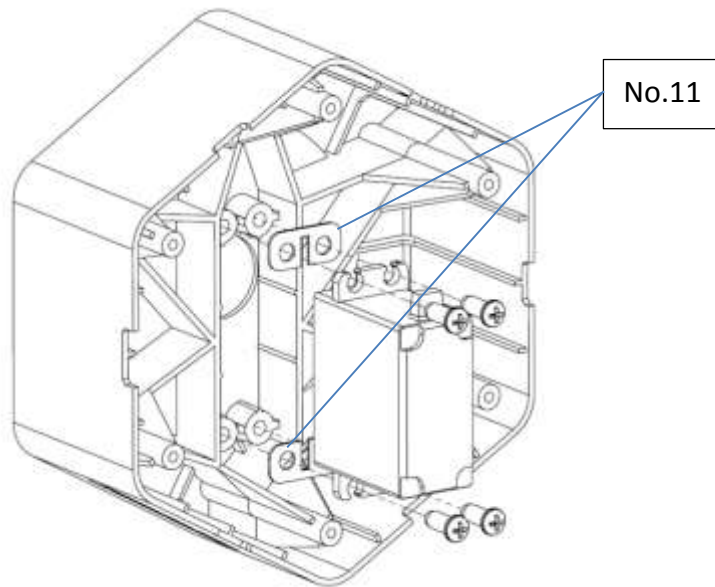
- ◆ Three bosses on the edge are used to fix the base on somewhere.
- ◆ M3x10 (No.5) screws will be helpful.

4、Compatibility

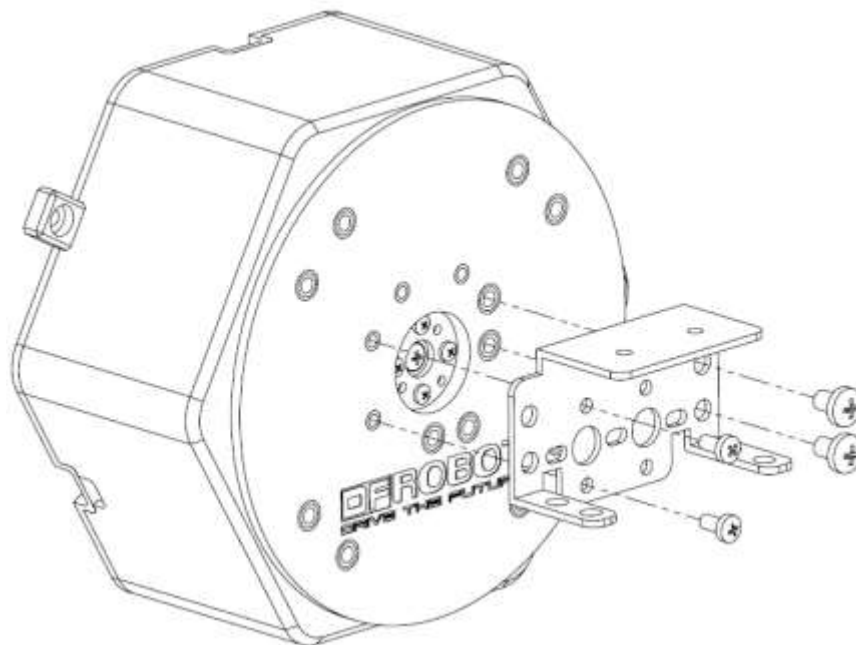
- 4.1 ROB0114 can fit SER0020 and SER0035 direct when use the plastic horn.
- 4.2 To fit the metal horn for SER0020 and SER0030 and SER0035 the servo horn washer (No.12) is necessary. And we should have to open the Assemble holes on the Platform first.



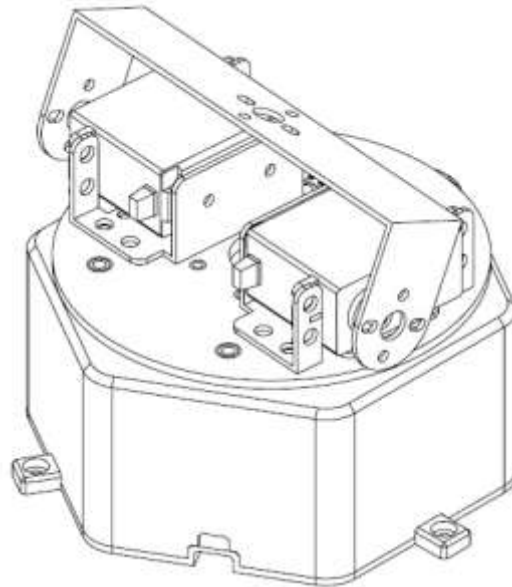
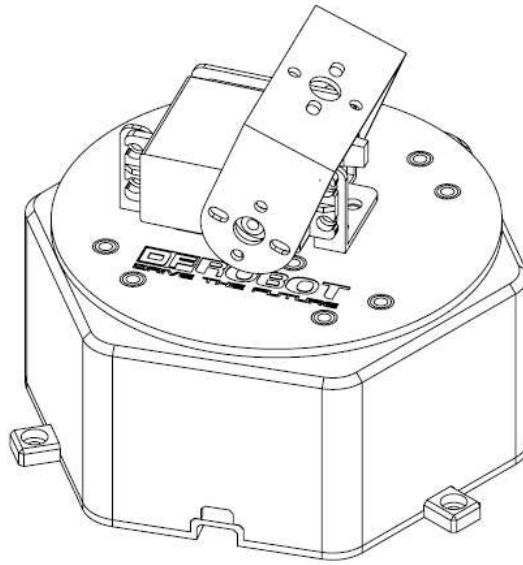
4.3 To fit SER0001 and SER0002 the Servo washers (No.11) are necessary.



4.4 The platform can fit FIT0004 and FIT0038 perfectly.



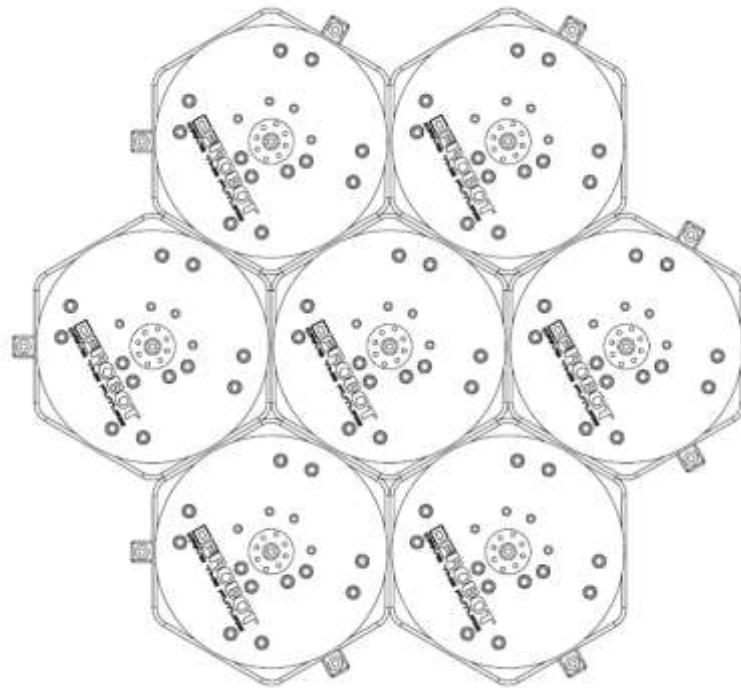
5、 Sample



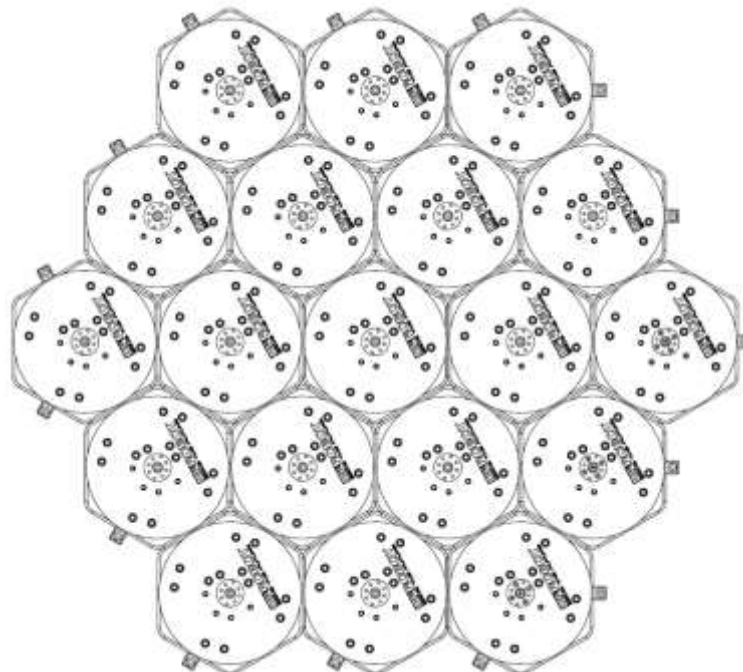
Put in a line:



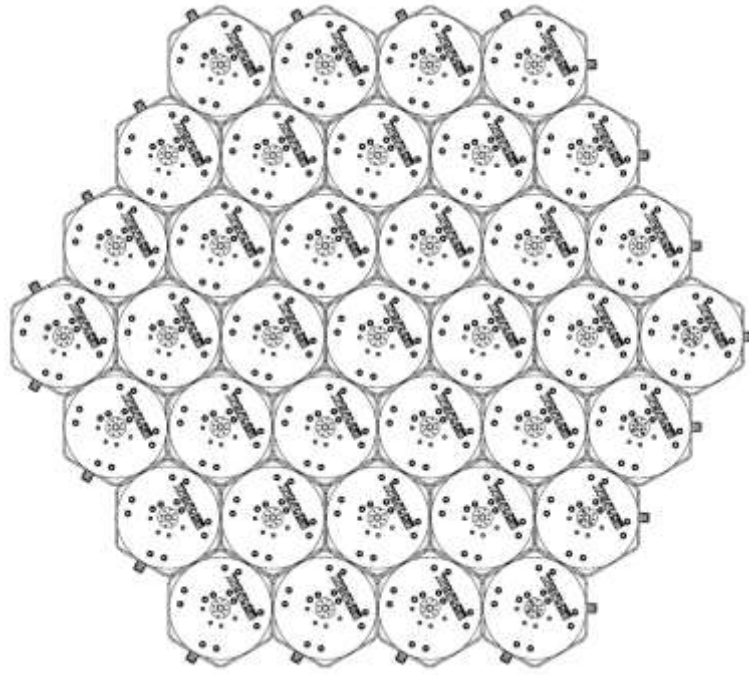
Hive:



Bigger hive!



Bigger than bigger !!!



Beyond bigger ! ! ! !