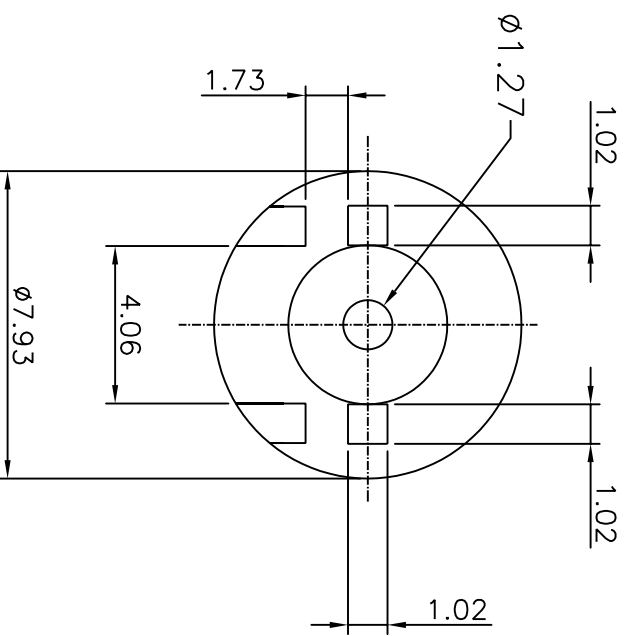
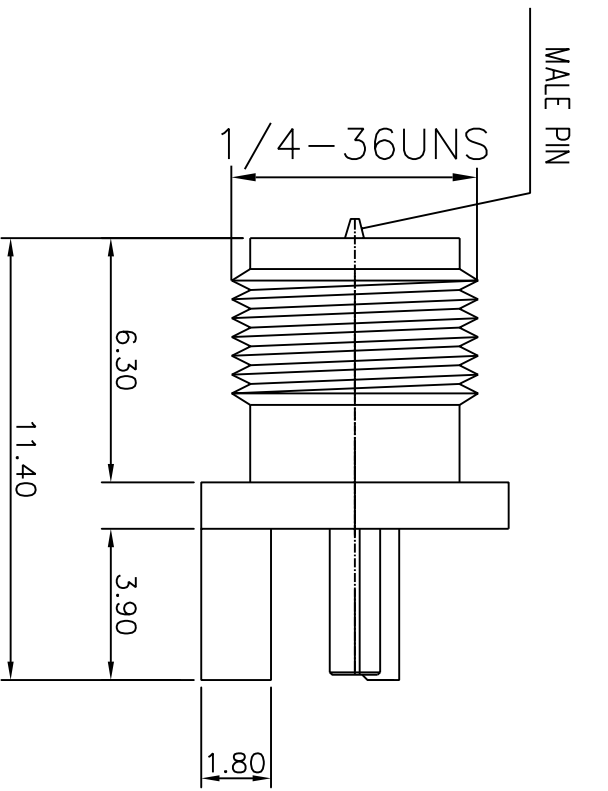


REV	DESCRIPTION	DRAWN	DATE



NO	Description	Qty	Material	Finish
3	PIN	1	Be Cu	NONE
2	INSULATOR	1	TEFLON	GOLD
1	BODY	1	BRASS	GOLD

UNLESS OTHERWISE SPECIFIED		* MAJOR DIMENSION		APPROVED	
1 REMOVE ALL BURRS		UNLESS OTHERWISE NOTED		CHECKED	
2 BREAK ALL CORNERS & EDGES CO.15 MAX		0.5-6 = ±0.2		DRAWN	
3 CHAMFER 1ST & LAST THREADS 45°		6-30 = ±0.4		andrew	
4 DIAMETERS ON COMMON CENTERS TO BE CONCENTRIC WITHIN 0.1mm		30-120 = ±0.6		DRAWN DATE 03/06/27	
5 ALL DIMENSIONS ARE AFTER PLATING.		120-315 = ±1.0		FILE NO.	
		ANGLES = ±1°		SMA FEMALE RP PCB MOUNT	
				DRAWING NO. SMA-02-89-TGG	
				REV A	



SMA FEMALE RP PCB MOUNT

DRAWING NO. SMA-02-89-TGG

REV A