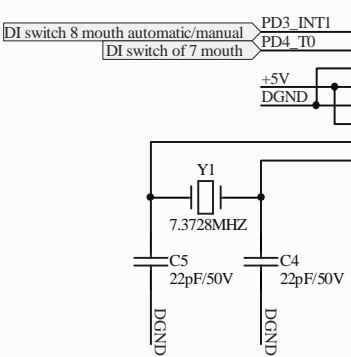
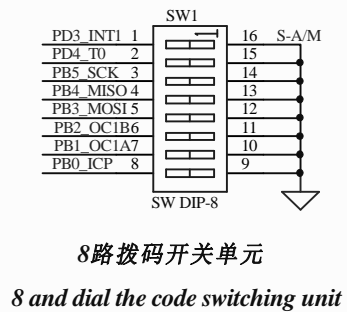
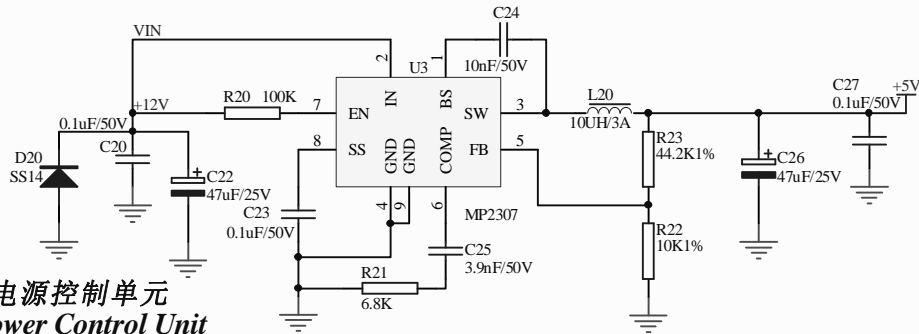
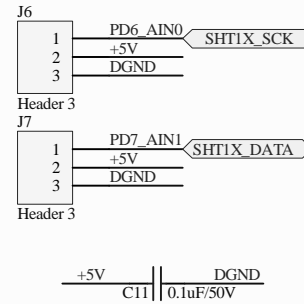


电源控制单元
Power Control Unit

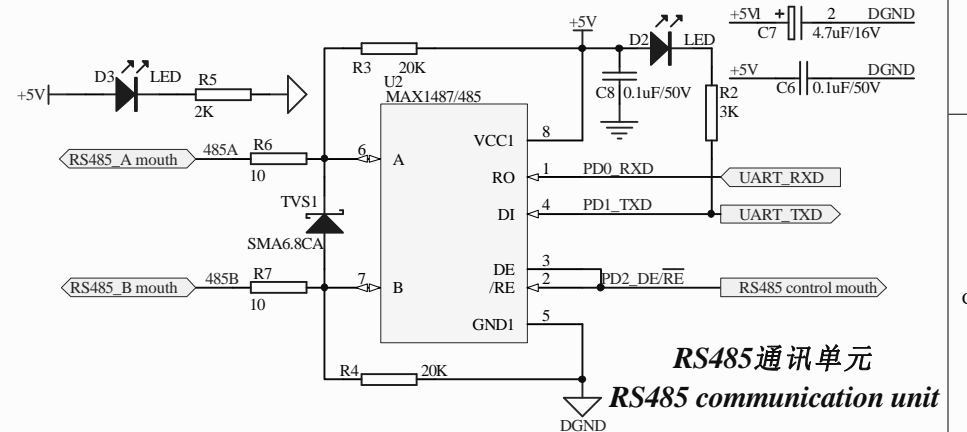
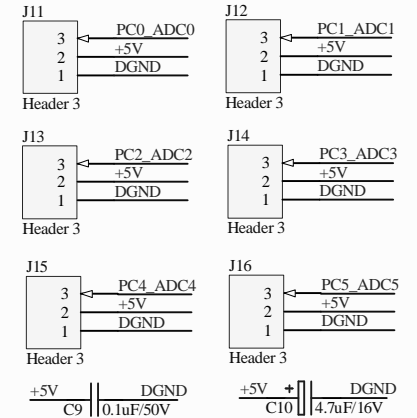


MCU控制单元
MCU control unit

SHT1X温湿度检测单元
SHT1X temperature and humidity testing unit



模拟量检测单元
Analog quantity detection unit



RS485 Sensor Node

Title		
Size	Number	Revision
A4		
Date:	2012/11/14	Sheet of VI.0
File:	C:\Users\...RS485 Sensor Node V1.0.SchDoc	Drawn By: Eric