

Released under the Creative Commons Attribution Share-Alike 4.0 License 
<https://creativecommons.org/licenses/by-sa/4.0/>

TITLE: I2C_Breakout_Block

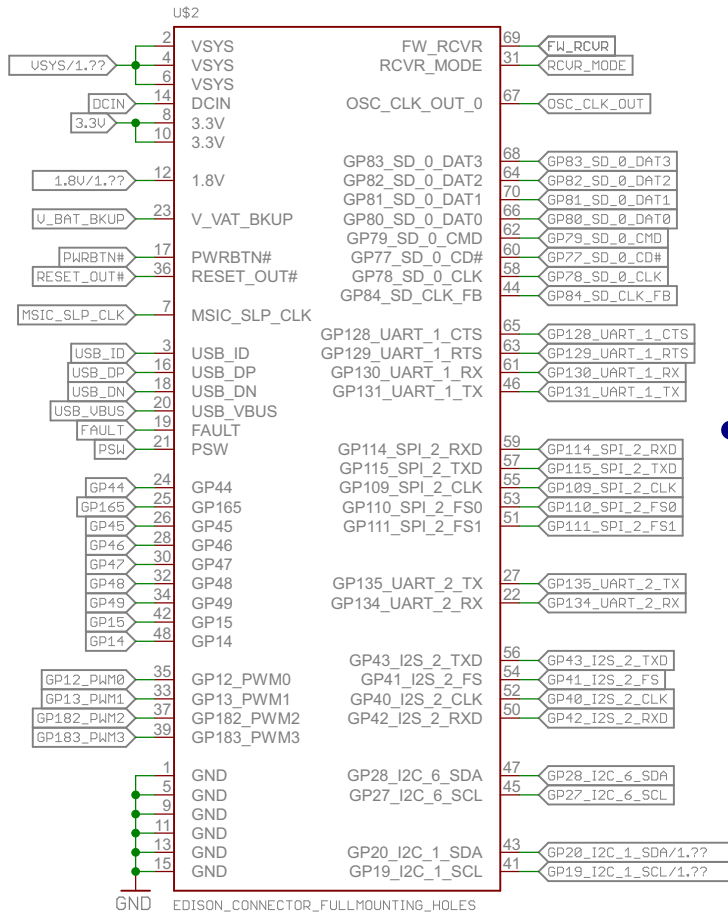
Design by Casey Kuhns

REV:
v10

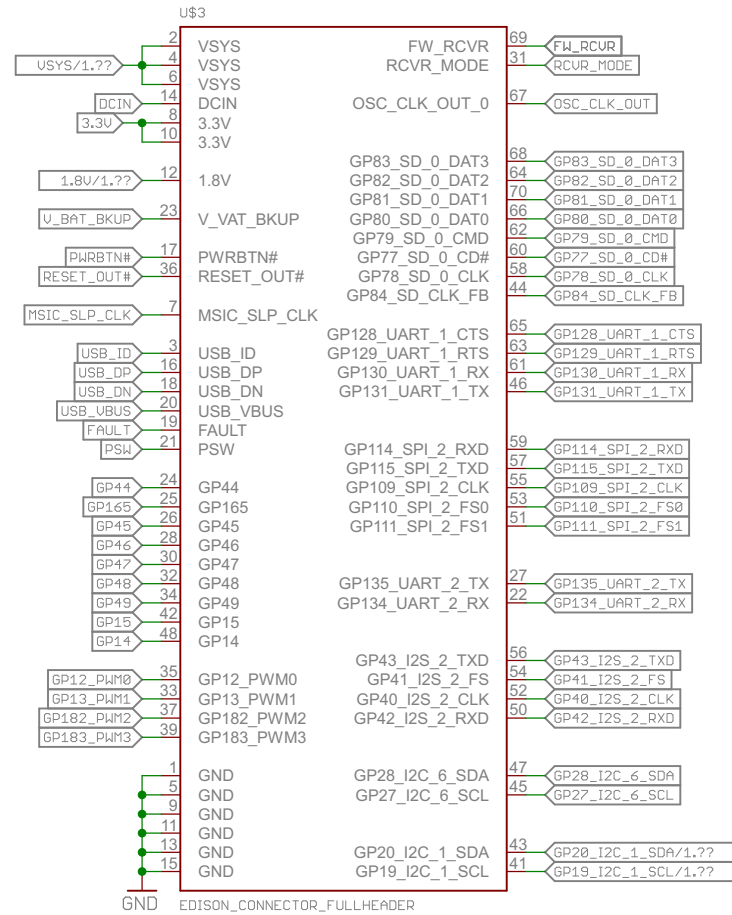
Date: 12/3/2014 3:11:44 PM

Sheet: 1/2

TOP-EDISON



BOTTOM



Released under the Creative Commons Attribution Share-Alike 4.0 License
<https://creativecommons.org/licenses/by-sa/4.0/>

TITLE: I2C_Breakout_Block

Design by:

REV:

Date: 12/3/2014 3:11:44 PM

Sheet: 2/2