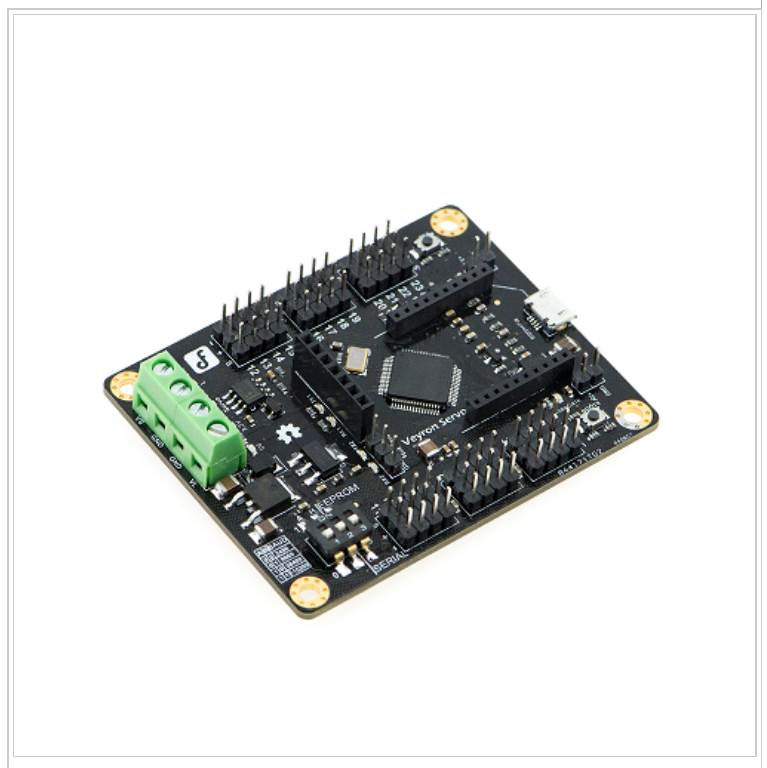


Veyron Servo Driver (24-Channel) (SKU:DRI0029)

From Robot Wiki

Contents

- 1 Introduction
- 2 Specifications
- 3 Pin Definitions
- 4 Install Driver
 - 4.1 Windows OS Driver
- 5 Relationship between Steering Angle and PWM Signal
- 6 Formula
- 7 Tutorial
 - 7.1 How to drive the board from Serial port
 - 7.2 How to drive the board from Arduino
 - 7.2.1 Sample Code
 - 7.3 Command Lists
 - 7.3.1 Standard Commands
 - 7.3.1.1 Example Commands
 - 7.3.2 Pulse Offset
 - 7.3.3 Digital Output
 - 7.3.3.1 Example Command
 - 7.3.4 Byte Output
 - 7.3.4.1 Example Command
 - 7.3.5 Query State of Motion
 - 7.3.6 Query Pulse Width
 - 7.4 How to drive the board from the DFServo
 - 7.5 Veyron Servo Driver Wireless Communication
 - 7.5.1 Sample Code
 - 7.5.2 Xbee Wireless Communication
 - 7.5.3 APC220 Wireless Communication
- 8 Documents



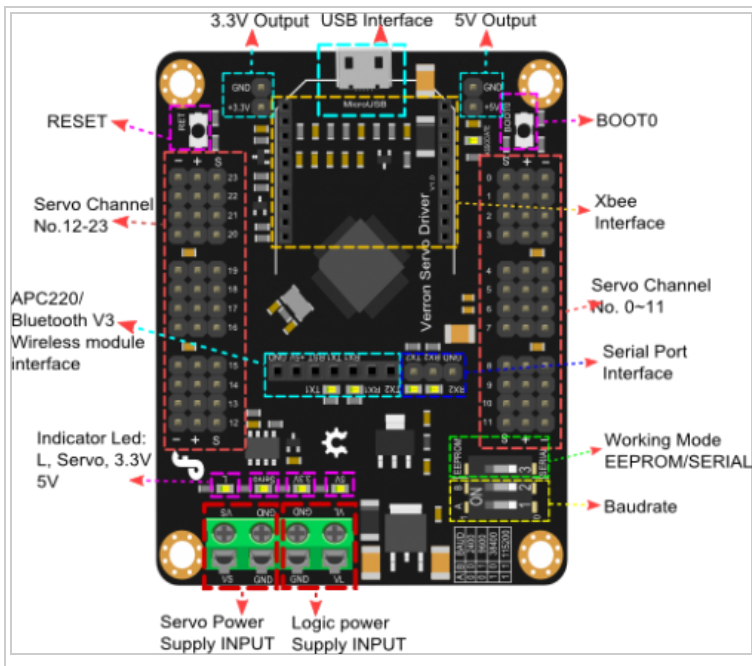
Introduction

Veyron Servo Driver (24-Channel) is a multiple servo controller, especially designed for humanoid robots, spider robots, robotic arms, and many other likewise applications. The controller integrates wireless data transmission interface, which is fully compatible with DFRobot Bluetooth module, APC220 wireless data transmission module and Xbee module. The controlling modes include real-time, timer, constant speed. Veyron Servo Driver (24-Channel) is the most powerful Mirco USB servo driver with high reliability on the market. It uses a high-performance, low-power STM32F103 microcontroller as its core control unit, which has a powerful, fast execution speed, high accuracy, strong I / O drive power. It supports Futaba, Hitec, Fraser and most common servos. The servo control range could be 0 ~ 180 ° (for 360 ° continuous rotation, retrofitting is needed); It has two servo control modes: single servo control, group servo control. In group control mode, the same group can be coordinated automatically with start and stop at the same time. It will be very useful in multi-DOF biomimetic robots, which requires smooth actions.

Specifications

- Output channels: 24 (PWM output or TTL level output);
- Servo Power: DC 4.8V ~ 6V;
- Logic Power: DC 6V ~ 12V or USB (with a resettable fuse in debugging);
- Driver Resolution: 1uS; 0.09°;
- Drive speed Resolution: 1uS/s; 0.09°/s
- Communication Interface: Micro USB /TTL serial interfaces;
- Baud rate: 2400,9600,38400,115200
- Size: 57.3 x 72.3mm

Pin Definitions



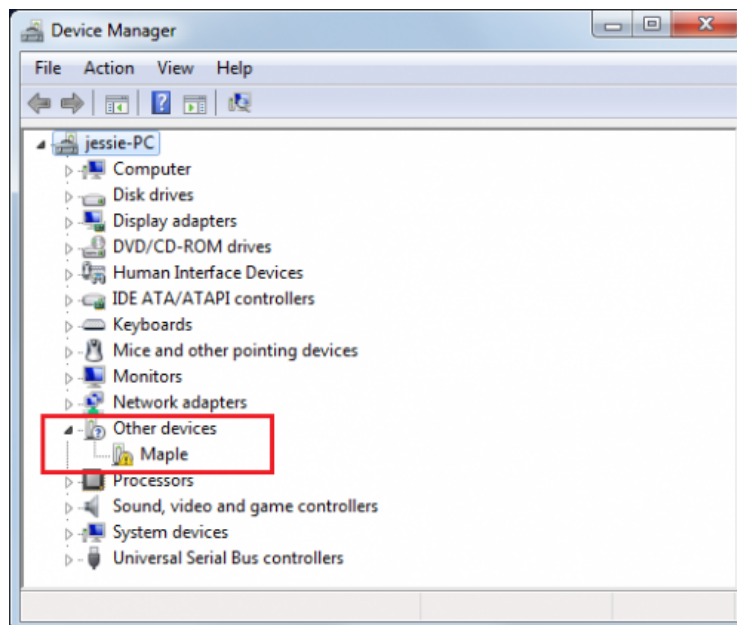
Install Driver

It requires to install the driver, when you use it for the first time.

Windows OS Driver

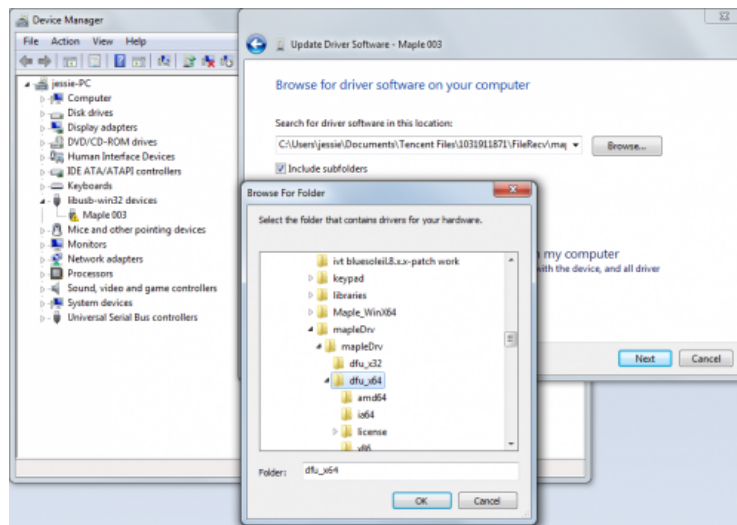
Windows Driver Download (<https://github.com/DFRobot/Visual-Servo-Controller/blob/master/drivers/mapleDrv.rar?raw=true>)

1) Connect Veyron Servo Driver 24-Channel to a computer via USB port(USB2.0 is better).And Open your PC Device Manager.

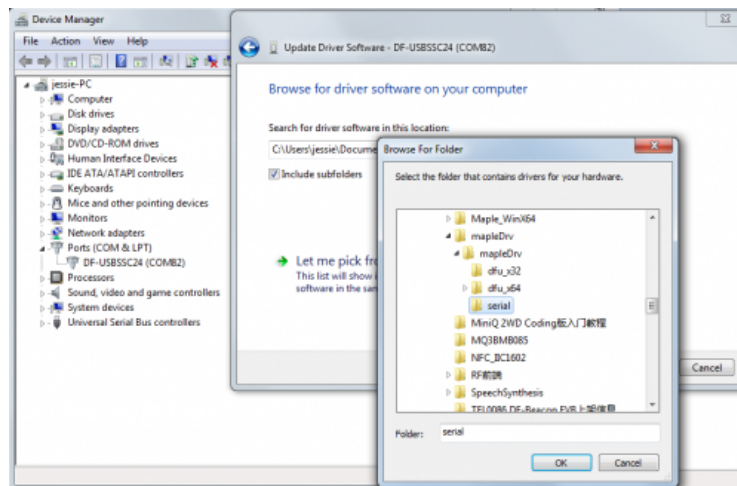


2) Press the "reset" button, the blue light will flash six times fast, then slow blink several times.

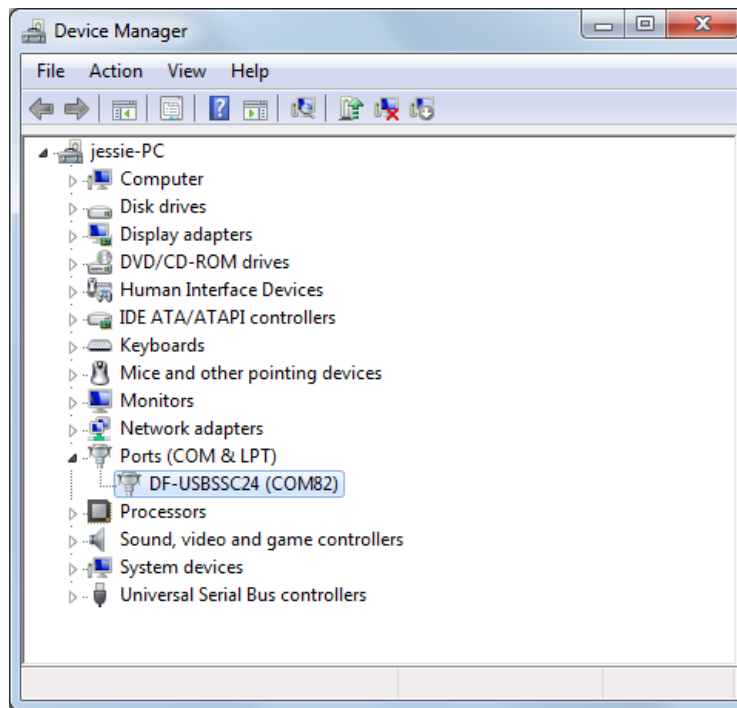
3) Press the "reset" button again, and then press to hold "BOOT0" button during blue lights flashing rapidly, until the light starts blinking slowly. The blue light will keep flashing. Now you can install the driver.



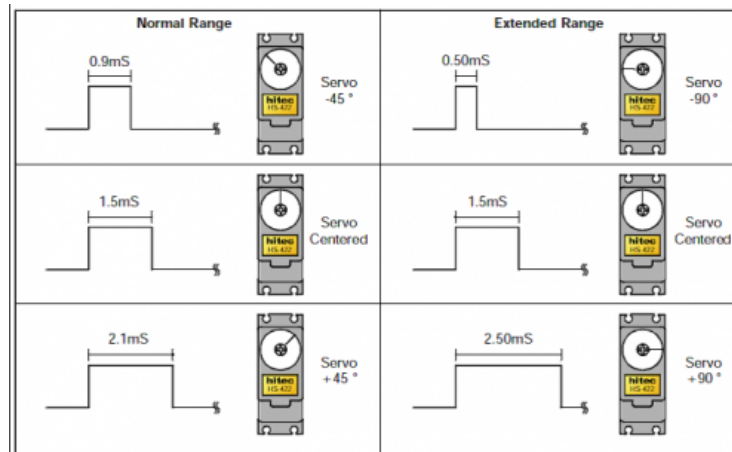
4) Windows will prompt you for a driver, manually locate the directory, select mapleDrv -->dfu_x64/dfu_x32(Please select your OS bit: 64-bits or 32-bits) in the folder. Next install a virtual serial port driver:



5) Reset Veyron Servo Driver 24-Channel with RET button, wait for the blue light stops flashing. At this point Windows will prompt to install the driver, too. Please manually locate the directory, select mapleDrv -->serial in the folder. Until now, the driver has been installed



Relationship between Steering Angle and PWM Signal



Formula

Run Time (sec) = pulse width (us) / Speed (us / sec).

e.g. The initial position is 750us, the final position is 2250us, the speed is 1000us/s. The running time;

$$T = (2250 - 750) / 1000 = 1.5 \text{ s}$$

So the running time is 1.5s.

Tutorial

Device List:

- Veyron Servo Driver 24-Channel
- Micro USB cable
- TowerPro SG90 Servo
- Servo 5V power supply

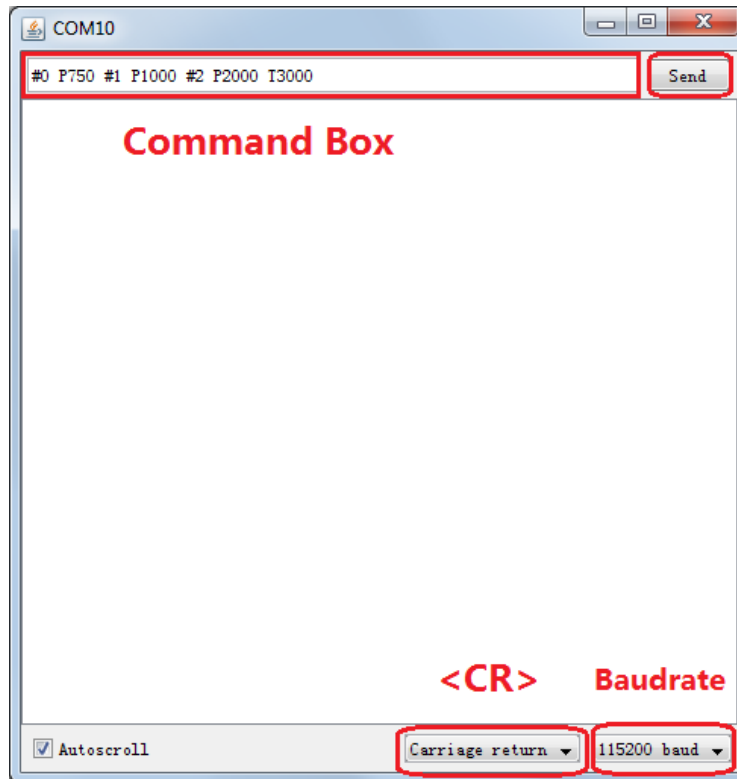
- 9V power supply logic

Veyron requires an external power supply to support the servo

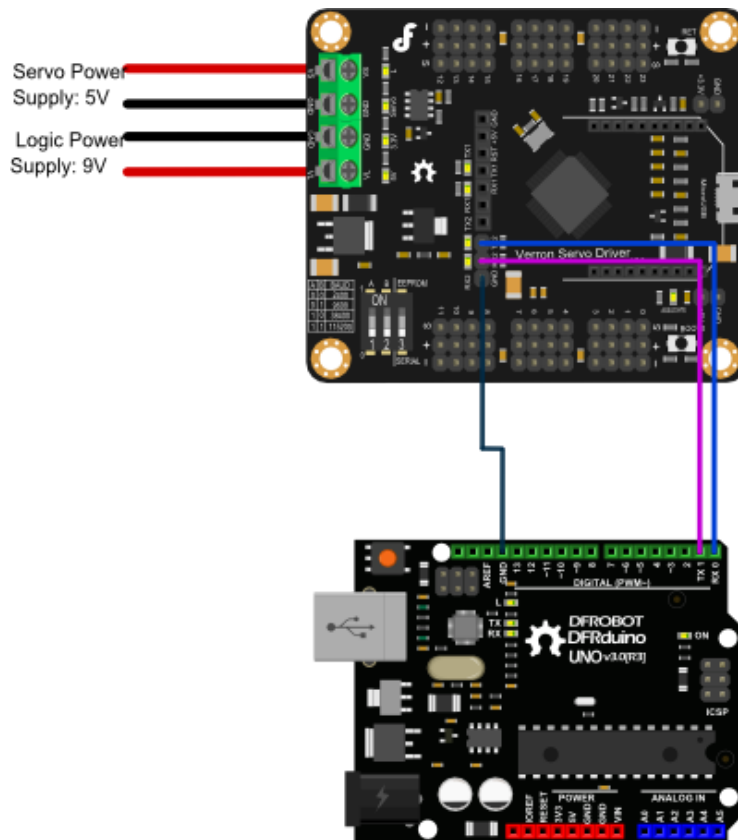
How to drive the board from Serial port

In this section, we will use Arduino IDE as a Serial port communication tool to control the servo. And, you also could use other Serial port software, like putty, CoolTerm etc.
Connect Micro USB cable to the Veyron Servo Driver 24-Channel, then the power indicator LED will be on. Connect an external 5V power to the VS and GND. Then switch the DIP 3 at SERIAL, USB has been defaulted to 57600 baudrate (cannot be changed), should be consistent with software. Open you Arduino IDE, click "Tools", select your board Serial port, and open the Serial monitor.

Select "Carriage return",and the right baudrate.



How to drive the board from Arduino



Sample Code

```
?
1 void setup()
2 {
3   Serial.begin(115200);//Set the baudrate to 115200 A:1 B:1
4 }
5 void loop()
6 {
7   Serial.println("#5 P750 T500");// Channel 5 will move to 750us within 500ms
8   delay(1000);
9   Serial.println("#5 P2200 T500");// Channel 5 will move to 2200us within 500ms
10  delay(1000);
11}
```

Command Lists

Standard Commands

```
#<ch> P <pw> S <spd> ...# <ch> P <pw> S <spd> T <time><cr>
```

- <ch>: Servo channel number, 0 - 23
- <pw>: pulse width(us), 500 - 2500; the destination position
- <spd>: single-channel speed (us/s)(Optional)
- : the whole channel speed (ms), maximum 65535(Optional)
- <cr>: carriage return, the symbol of the end, ASCII code 13 (Required)
- <esc>: Cancel the current command, ASCII code 27

Example Commands

```
#5 P1600 S750 <cr>
```

The servo on Channel 5 will move to 1600us position at the speed of 750us/s.

```
#5 P1600 T1000 <cr>
```

The servo on Channel 5 will move to 1600us from any position after 1000ms.

```
#5 P1600 #10 P750 T2500 <cr>
```

The Servo on Channel 5 will move to 1600us position and servo on channel 10 will move to the 750us position. They will arrive simultaneously after 2500ms. This command can coordinate multiple servo speed, even if the initial position of two servos are very far, you can make they start to rotate and stop at one specified position. This command is very suitable for humanoid bipedal robot

Pulse Offset

```
#<ch> PO <offset value> ... # <ch> PO <offset value> <cr>
```

- <ch>: Servo channel number, 0 - 23
- <offset value>: 100 to-100us
- <cr>: the end of the carriage return, ASCII code 13

To rectify the pulse width of a channel, then humanoid robot could rectify the position without mechanical hardware.

Digital Output

```
#<ch> <lvl> ... # <ch> <lvl> <cr>
```

- <ch>: Servo channel number, 0 - 23.
- <lvl>: channel output logic level high 'H' or low 'L'.
- <cr>: the symbol of the end, ASCII code 13.

The channel will output a level after received carriage return symbols in 20ms.

Example Command

```
#3H #4L <cr>
```

This command makes the channel 3 output a high level(+3.3 V), Channel 4 output a low level(0V).

Byte Output

```
# <bank>: <value> <cr>
```

- <bank>: 0 = 8-15, 2 = Channel Channel Channel 0-7, 1 = 16-23.
- <value>: decimal output (0-255), Bit0 = LSB.

This command allows the 8-bit binary write-once and simultaneously update all channels in the bank, the update will be completed within 20ms after receive carriage return symbols

Example Command

```
# 1:123 <cr>
```

This command enables bank output 123 in decimalism, 123(decimal) = 01111011 (binary), bank 1 for channels 8-15, then channel 8 and 13 in bank 1 will be 0, the other channel will be 1.

Query State of Motion

```
Q <cr>
```

If servo is rotating, it will return "+", if servo has moved to a specific location, it will return "." The return value of this command will delay 50us to 5ms.

Query Pulse Width

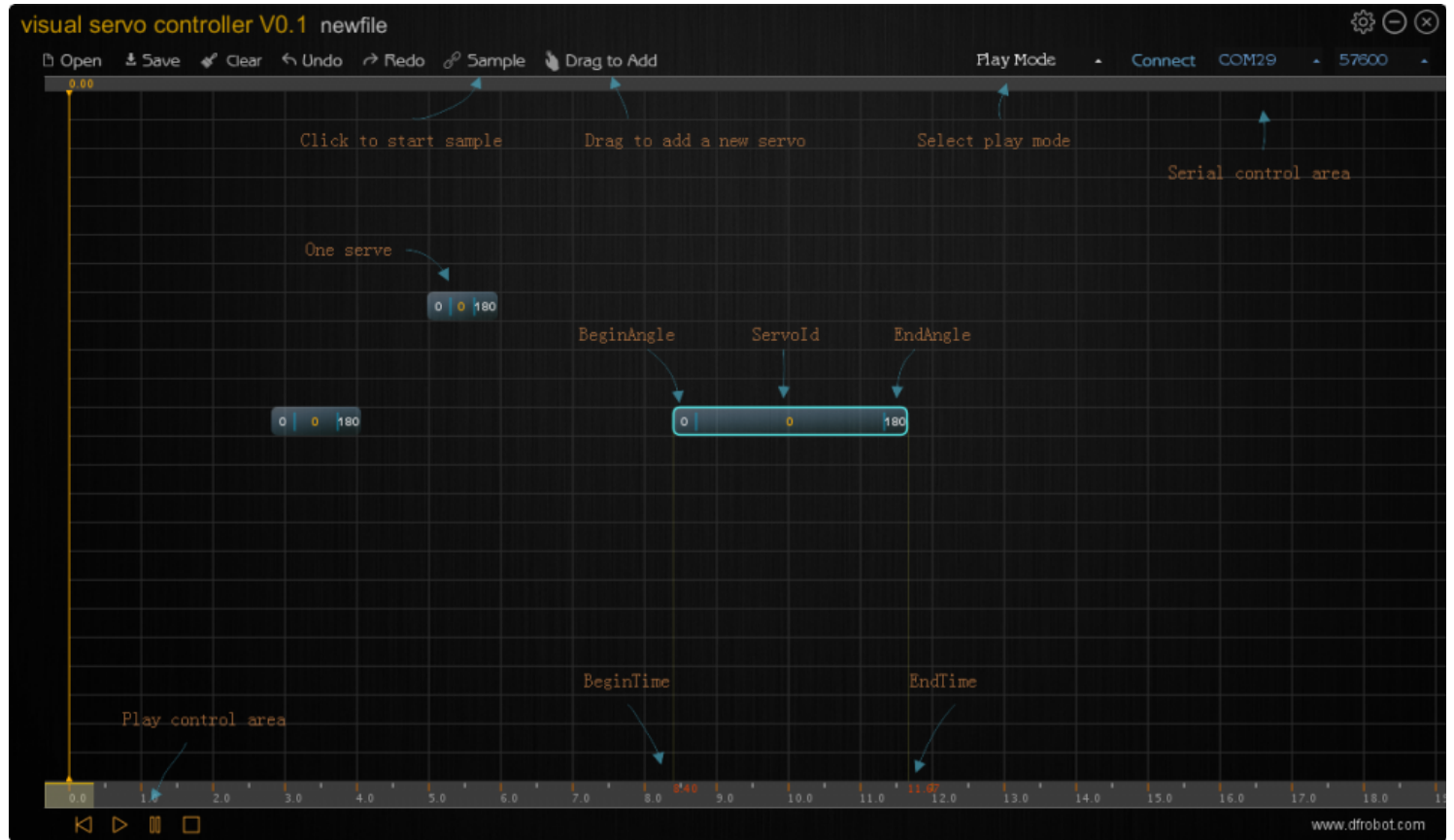
QP <ch> <cr>

- <ch>: Servo channel number, 0 - 23.

The return value is one byte (binary), which means the servo current pulse width, resolution: 10us, for example, the pulse width is 1500us, then it will return to 150 (binary). This command can query multiple servo pulse width, each servo has a byte, the return value will delay 50us to 5ms, typical value is 100us.

How to drive the board from the DFServo

We have made a special software--DFServo to drive Veyron.



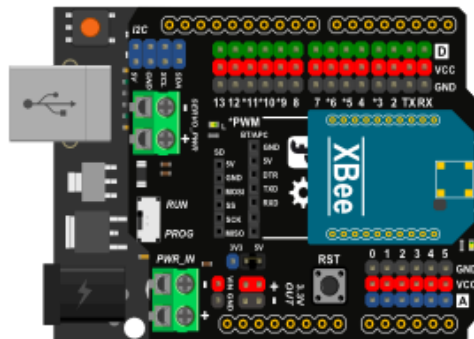
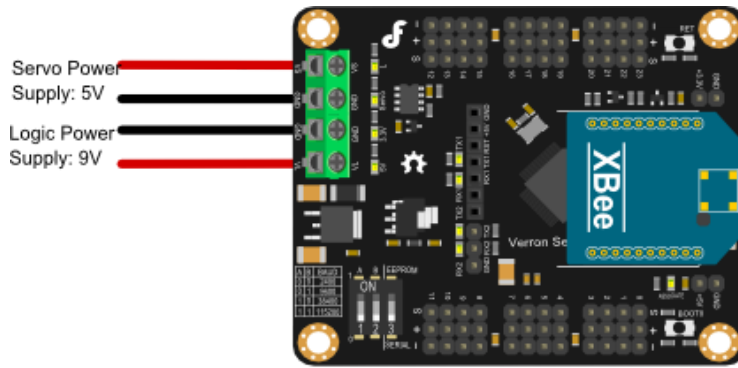
You could click here to check DFServo tutorial (http://www.dfrobot.com/wiki/index.php/Visual_Servo_Controller).

Veyron Servo Driver Wireless Communication

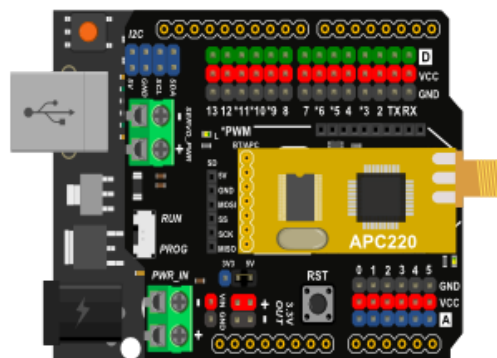
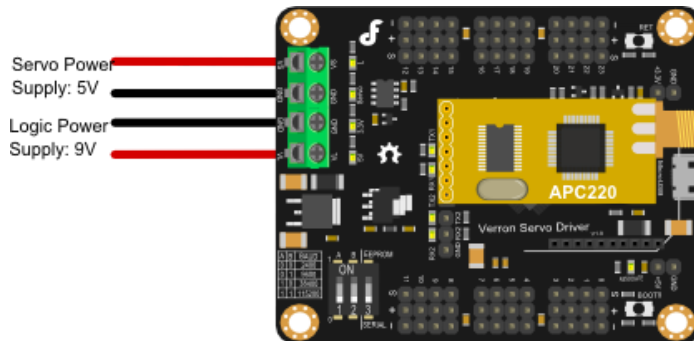
Sample Code

```
?
1 void setup()
2 {
3   Serial.begin(115200);//Set the baudrate to 115200 A:1 B:1
4 }
5 void loop()
6 {
7   Serial.println("#5 P750 T500");// Channel 5 will move to 750us within 500ms
8   delay(1000);
9   Serial.println("#5 P2200 T500");// Channel 5 will move to 2200us within 500ms
10  delay(1000);
11}
```

Xbee Wireless Communication



APC220 Wireless Communication



Documents

- Veyron Windows Drivers and DFServo(Windows&MAC included) Software Download (<https://github.com/DFRobot/Visual-Servo-Controller>)

Retrieved from "http://www.dfrobot.com/wiki/index.php?title=Veyron_Servo_Driver_(24-Channel)_(SKU:DRI0029)&oldid=27088"

Categories: Product Manual | DRI Series | Shield

- This page was last modified on 11 August 2014, at 11:40.
- This page has been accessed 992 times.